



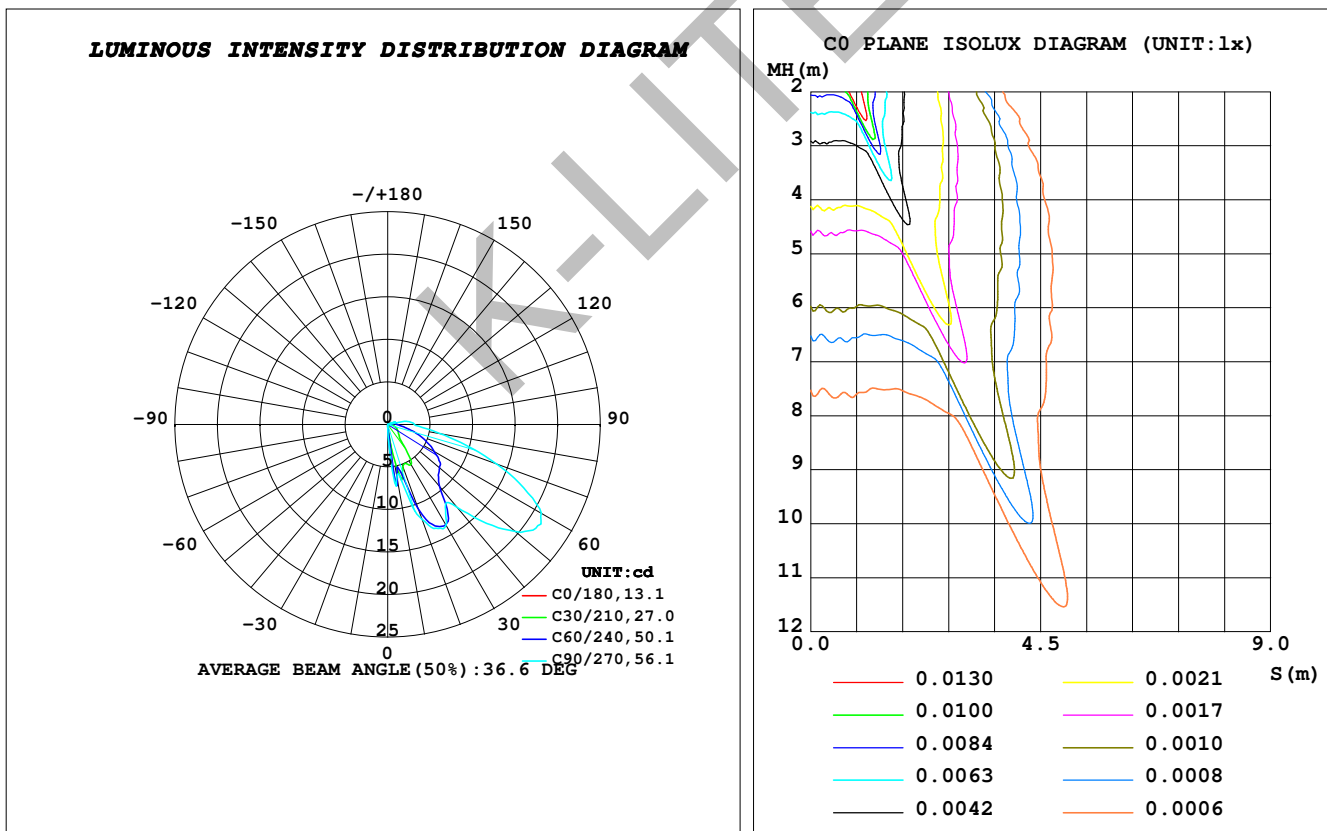
Light Output Ratio:	100.0%	
Luminaire Power:	3.336 W	
SHR Nominal:	0.00	Calculated using the TM5
SHR Maximum:	1.00	fine grid method.

C Range: 0 - 360DEG**C Interval: 10.0DEG****Test Speed: HIGH****Temperature: 25.3DEG****Operators: AKRAM BASHA.H/BALAMURUGAN.****Test Date: 04 September 2020** **γ Range: 0 - 180DEG** **γ Interval: 1.0DEG****Test System: EVERFINE GO-R5000_V2 SYSTEM V2.00.417****Humidity: 65.0%****Test Distance: 1.852m [K=1.0000]****Remarks:**

LUMINAIRE PHOTOMETRIC TEST REPORT

Test:U:230.54V I:0.0152A P:3.3362W PF:0.9522 Freq:49.99Hz Lamp Flux:15.4988x1 lm		
NAME: SUDO MINI - SPOT	TYPE:PATH FINDERS	WEIGHT:0.6Kg
SPEC.:CW, LUMILED'S 2835	DIM.: 76 x 90 x 130	SERIAL No.:1782
MFR.: K-LITE	SUR.:	Shielding Angle:

DATA OF LAMP		PHOTOMETRIC DATA			
MODEL	KL-2762	Imax (cd)	21.48	S/MH (C0/180)	1.16
NOMINAL POWER (W)	3	LOR (%)	100.0	S/MH (C90/270)	0.43
RATED VOLTAGE (V)	230	TOTAL FLUX (lm)	15.499	η UP, DN (C0-180)	3.7, 96.2
NOMINAL FLUX (lm)	15.4988	CIE CLASS	DIRECT	η UP, DN (C180-360)	0.0, 0.1
LAMPS INSIDE	1	η up (%)	3.7	CIBSE SHR NOM	0.00
TEST VOLTAGE (V)	230	η down (%)	96.3	CIBSE SHR MAX	1.00



C Range: 0 - 360DEG
C Interval: 10.0DEG
Test Speed: HIGH
Temperature: 25.3DEG
Operators: AKRAM BASHA.H/BALAMURUGAN.
Test Date: 04 September 2020

γ Range: 0 - 180DEG
γ Interval: 1.0DEG
Test System: EVERFINE GO-R5000_V2 SYSTEM V2.00.417
Humidity: 65.0%
Test Distance: 1.852m [K=1.0000]
Remarks:

ZONAL FLUX DIAGRAM

ZONAL FLUX DIAGRAM:

γ	C0	C45	C90	C135	C180	C225	C270	C315	γ	Φ zone	Φ total	%lum, lamp
10	0.0372	6.362	6.317	4.955	0.0327	0.0239	0.0219	0.0247	0- 10	0.1360	0.1360	0.88,0.88
20	0.0530	7.007	11.89	6.272	0.0303	0.0168	0.0130	0.0167	10- 20	0.7536	0.8897	5.74,5.74
30	0.0596	10.03	13.70	7.864	0.0276	0.0108	0.0072	0.0123	20- 30	1.860	2.749	17.7,17.7
40	0.0441	6.248	12.74	4.099	0.0229	0.0063	0.0012	0.0069	30- 40	2.132	4.881	31.5,31.5
50	0.0345	3.637	19.56	2.522	0.0177	0.0020	0	0.0030	40- 50	2.340	7.221	46.6,46.6
60	0.0252	2.781	20.88	2.387	0.0125	0.0004	0	0.0009	50- 60	2.890	10.11	65.2,65.2
70	0.0145	2.118	13.67	1.755	0.0066	0	0	0	60- 70	2.564	12.67	81.8,81.8
80	0.0035	1.188	6.335	1.084	0	0	0	0	70- 80	1.521	14.20	91.6,91.6
90	0	0.6634	3.152	0.6201	0	0	0	0	80- 90	0.7241	14.92	96.3,96.3
100	0	0	2.267	0	0	0	0	0	90-100	0.4481	15.37	99.2,99.2
110	0	0.1417	0.9720	0.0382	0	0	0	0	100-110	0.0794	15.45	99.7,99.7
120	0	0	0.1486	0	0	0	0	0	110-120	0.0496	15.50	100,100
130	0	0	0	0	0	0	0	0	120-130	0.0021	15.50	100,100
140	0	0	0	0	0	0	0	0	130-140	0.0001	15.50	100,100
150	0	0	0	0	0	0	0	0	140-150	0	15.50	100,100
160	0	0	0	0	0	0	0	0	150-160	0	15.50	100,100
170	0	0	0	0	0	0	0	0	160-170	0	15.50	100,100
180	0	0	0	0	0	0	0	0	170-180	0	15.50	100,100
DEG	LUMINOUS INTENSITY:cd								UNIT:lm			

C Range: 0 - 360DEG

C Interval: 10.0DEG

Test Speed: HIGH

Temperature:25.3DEG

Operators:AKRAM BASHA.H/BALAMURUGAN.

Test Date:04 September 2020

γ Range: 0 - 180DEG

γ Interval: 1.0DEG

Test System:EVERFINE GO-R5000_V2 SYSTEM V2.00.417

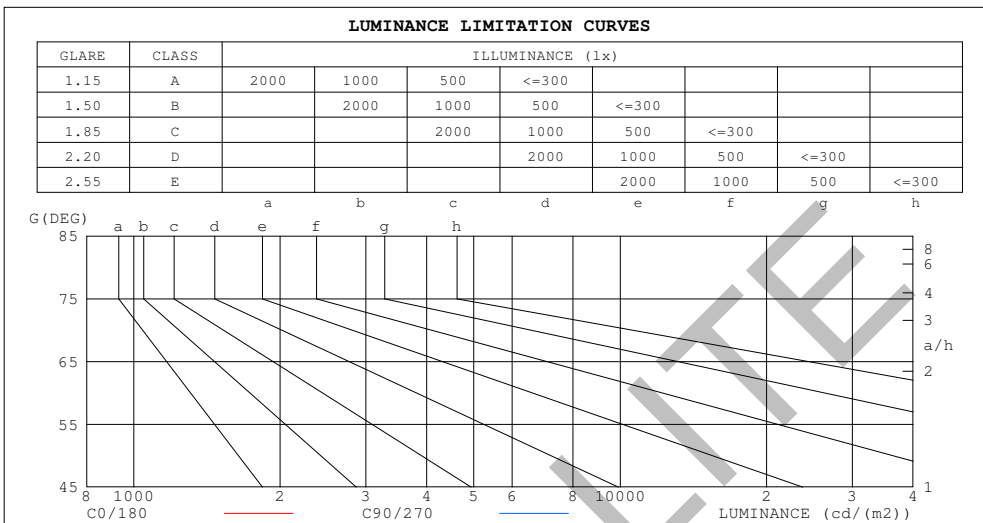
Humidity:65.0%

Test Distance:1.852m [K=1.0000]

Remarks:

LUMINANCE LIMITATION CURVES

Test:U:230.54V I:0.0152A P:3.3362W PF:0.9522 Freq:49.99Hz Lamp Flux:15.4988x1 lm		
NAME: SUDO MINI - SPOT	TYPE:PATH FINDERS	WEIGHT:0.6Kg
SPEC.:CW, LUMILED'S 2835	DIM.: 76 x 90 x 130	SERIAL No.:1782
MFR.: K-LITE	SUR.:	Shielding Angle:



LUMINANCE cd/(m2)		
G (DEG)	C0/180	C90/270
85	0	477
80	0	373
75	0	381
70	0	408
65	0	426
60	1	426
55	1	379
50	1	311
45	1	238

C Range: 0 - 360DEG

C Interval: 10.0DEG

Test Speed: HIGH

Temperature: 25.3DEG

Operators: AKRAM BASHA.H/BALAMURUGAN. Test Distance: 1.852m [K=1.0000]

Test Date: 04 September 2020

γ Range: 0 - 180DEG

γ Interval: 1.0DEG

Test System: EVERFINE GO-R5000_V2 SYSTEM V2.00.417

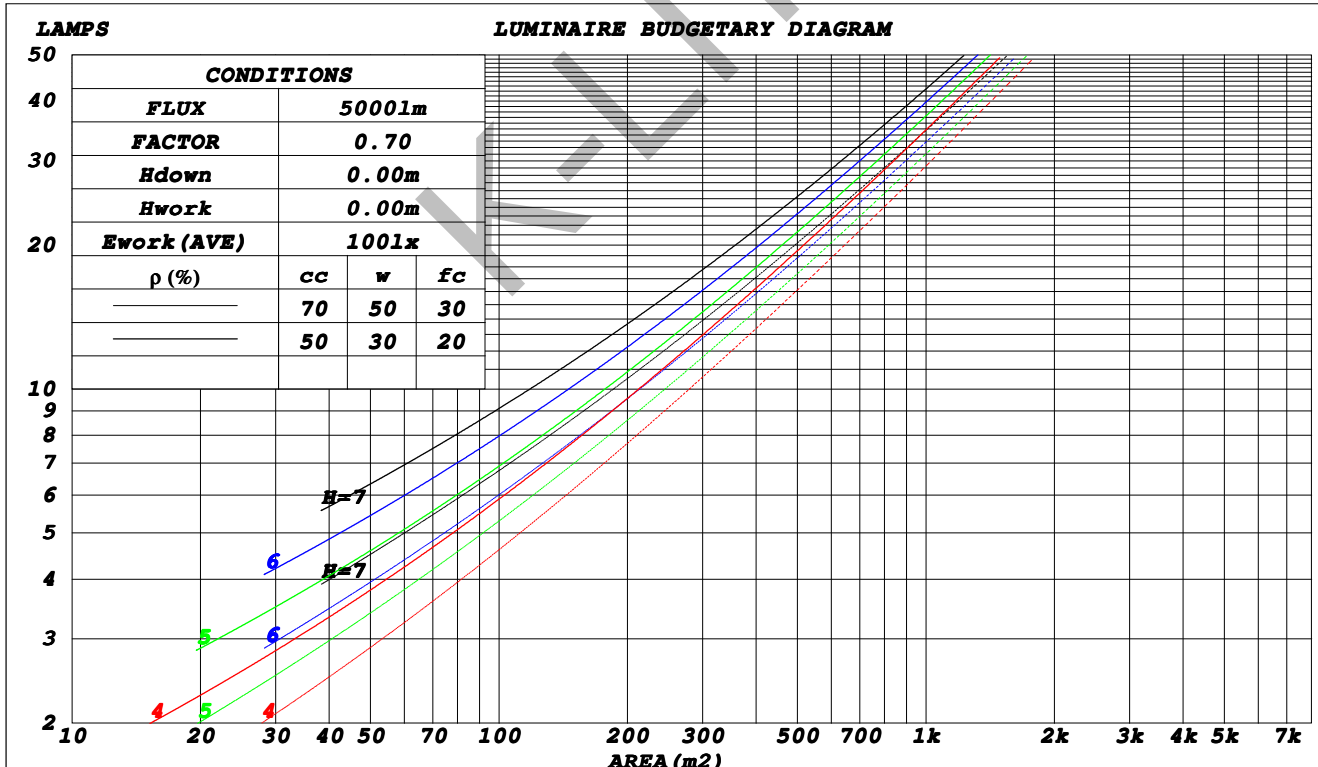
Humidity: 65.0%

Remarks:

CU AND LUMINAIRE BUDGETARY ESTIMATE DIAGRAM

Test:U:230.54V I:0.0152A P:3.3362W PF:0.9522 Freq:49.99Hz Lamp Flux:15.4988x1 lm		
NAME: SUDO MINI - SPOT	TYPE:PATH FINDERS	WEIGHT:0.6Kg
SPEC.:CW, LUMILED'S 2835	DIM.: 76 x 90 x 130	SERIAL No.:1782
MFR.: K-LITE	SUR.:	Shielding Angle:

ρcc	80%			70%			50%			30%			10%			0
	50%	30%	10%	50%	30%	10%	50%	30%	10%	50%	30%	10%	50%	30%	10%	0
ρw	20%			20%			20%			20%			20%			0
ρfc	20%			20%			20%			20%			20%			0
RCR	RCR:Room Cavity Ratio															
	Coefficients of Utilization(CU)															
0.0	1.18	1.18	1.18	1.15	1.15	1.15	1.09	1.09	1.09	1.04	1.04	1.04	.99	.99	.99	.96
1.0	.00	.95	.90	.97	.92	.88	.92	.88	.84	.87	.84	.81	.83	.80	.78	.76
2.0	.85	.77	.70	.82	.75	.69	.78	.72	.67	.74	.69	.65	.71	.66	.62	.60
3.0	.73	.63	.56	.71	.62	.55	.67	.60	.54	.64	.58	.52	.61	.55	.51	.48
4.0	.63	.53	.46	.62	.52	.45	.58	.50	.44	.56	.49	.43	.53	.47	.42	.40
5.0	.56	.46	.38	.54	.45	.38	.52	.43	.37	.49	.42	.36	.47	.40	.35	.33
6.0	.49	.39	.32	.48	.39	.32	.46	.38	.31	.44	.36	.31	.42	.35	.30	.28
7.0	.44	.35	.28	.43	.34	.28	.41	.33	.27	.39	.32	.27	.38	.31	.26	.24
8.0	.40	.31	.24	.39	.30	.24	.37	.29	.24	.36	.29	.23	.34	.28	.23	.21
9.0	.36	.27	.21	.35	.27	.21	.34	.26	.21	.33	.26	.21	.31	.25	.20	.18
10.0	.33	.25	.19	.32	.24	.19	.31	.24	.19	.30	.23	.18	.29	.23	.18	.16



C Range: 0 - 360DEG

C Interval: 10.0DEG

Test Speed: HIGH

Temperature:25.3DEG

Operators:AKRAM BASHA.H/BALAMURUGAN.Test Distance:1.852m [K=1.0000]

Test Date:04 September 2020

γ Range: 0 - 180DEG

γ Interval: 1.0DEG

Test System:EVERFINE GO-R5000_V2 SYSTEM V2.00.417

Humidity:65.0%

Remarks:

WEC AND CCEC

Test:U:230.54V I:0.0152A P:3.3362W PF:0.9522 Freq:49.99Hz Lamp Flux:15.4988x1 lm		
NAME: SUDO MINI - SPOT	TYPE:PATH FINDERS	WEIGHT:0.6Kg
SPEC.:CW, LUMILED'S 2835	DIM.: 76 x 90 x 130	SERIAL No.:1782
MFR.: K-LITE	SUR.:	Shielding Angle:

ρ_{cc}	80%			70%			50%			30%			10%			0
ρ_w	50%	30%	10%	50%	30%	10%	50%	30%	10%	50%	30%	10%	50%	30%	10%	0
ρ_{fc}	20%			20%			20%			20%			20%			0
RCR	RCR:Room Cavity Ratio						Wall Exitance Coefficients (WEC)									
0.0																
1.0	.373	.212	.067	.365	.208	.066	.349	.200	.064	.334	.193	.062	.321	.186	.060	
2.0	.338	.185	.057	.331	.182	.056	.317	.176	.055	.304	.170	.053	.292	.165	.052	
3.0	.306	.163	.049	.300	.161	.048	.287	.156	.047	.275	.151	.046	.265	.147	.045	
4.0	.279	.145	.043	.273	.143	.042	.261	.139	.041	.251	.135	.041	.241	.131	.040	
5.0	.254	.130	.038	.249	.128	.037	.239	.124	.037	.229	.121	.036	.221	.118	.035	
6.0	.234	.117	.034	.229	.116	.033	.220	.113	.033	.211	.110	.032	.203	.107	.032	
7.0	.216	.107	.030	.211	.105	.030	.203	.103	.030	.195	.100	.029	.188	.098	.029	
8.0	.200	.098	.027	.196	.097	.027	.189	.094	.027	.182	.092	.027	.175	.090	.026	
9.0	.186	.090	.025	.183	.089	.025	.176	.087	.025	.170	.085	.024	.164	.083	.024	
10.0	.174	.084	.023	.171	.083	.023	.165	.081	.023	.159	.079	.022	.154	.077	.022	

ρ_{cc}	80%			70%			50%			30%			10%			0
ρ_w	50%	30%	10%	50%	30%	10%	50%	30%	10%	50%	30%	10%	50%	30%	10%	0
ρ_{fc}	20%			20%			20%			20%			20%			0
RCR	RCR:Room Cavity Ratio						Ceiling Cavity Exitance Coefficients (CCEC)									
0.0	.219	.219	.219	.187	.187	.187	.128	.128	.128	.073	.073	.073	.023	.023	.023	
1.0	.213	.184	.158	.183	.158	.136	.125	.109	.094	.072	.063	.055	.023	.020	.018	
2.0	.207	.161	.121	.178	.138	.105	.122	.096	.073	.070	.056	.043	.023	.018	.014	
3.0	.201	.144	.098	.172	.124	.085	.118	.086	.060	.068	.050	.035	.022	.016	.012	
4.0	.193	.131	.083	.166	.113	.072	.114	.079	.051	.066	.046	.030	.021	.015	.010	
5.0	.186	.121	.073	.160	.105	.063	.110	.073	.045	.064	.043	.027	.021	.014	.009	
6.0	.178	.113	.066	.153	.098	.057	.106	.068	.040	.061	.040	.024	.020	.013	.008	
7.0	.171	.106	.060	.147	.092	.053	.102	.064	.037	.059	.038	.022	.019	.012	.007	
8.0	.164	.100	.056	.142	.087	.049	.098	.061	.035	.057	.036	.021	.018	.012	.007	
9.0	.158	.095	.053	.136	.083	.046	.094	.058	.033	.055	.034	.020	.018	.011	.007	
10.0	.152	.091	.051	.131	.079	.044	.091	.056	.032	.053	.033	.019	.017	.011	.006	

C Range: 0 - 360DEG

C Interval: 10.0DEG

Test Speed: HIGH

Temperature: 25.3DEG

Operators: AKRAM BASHA.H/BALAMURUGAN.

Test Date: 04 September 2020

γ Range: 0 - 180DEG

γ Interval: 1.0DEG

Test System: EVERFINE GO-R5000_V2 SYSTEM V2.00.417

Humidity: 65.0%

Test Distance: 1.852m [K=1.0000]

Remarks:

UGR(Unified Glare Rating) Table

Test:U:230.54V I:0.0152A P:3.3362W PF:0.9522 Freq:49.99Hz Lamp Flux:15.4988x1 lm		
NAME: SUDO MINI - SPOT	TYPE:PATH FINDERS	WEIGHT:0.6Kg
SPEC.:CW, LUMILED'S 2835	DIM.: 76 x 90 x 130	SERIAL No.:1782
MFR.: K-LITE	SUR.:	Shielding Angle:

ceiling/cavity	0.7	0.7	0.5	0.5	0.3	0.7	0.7	0.5	0.5	0.3	
walls	0.5	0.3	0.5	0.3	0.3	0.5	0.3	0.5	0.3	0.3	
working plane	0.2	0.2	0.2	0.2	0.2	0.2	0.2	0.2	0.2	0.2	
Room dimensions	Viewed crosswise					Viewed endwise					
x = 2H y = 2H											
	2H	-2.7	-1.1	-2.4	-0.8	-0.5	14.5	16.2	14.9	16.5	16.8
	3H	-2.5	-1.0	-2.1	-0.6	-0.3	17.2	18.7	17.5	19.0	19.3
	4H	-2.4	-1.0	-2.1	-0.7	-0.3	18.2	19.6	18.5	19.9	20.3
	6H	-2.4	-1.1	-2.1	-0.7	-0.4	18.9	20.3	19.3	20.6	21.0
	8H	-2.5	-1.2	-2.1	-0.8	-0.4	19.2	20.5	19.6	20.9	21.3
	12H	-2.5	-1.2	-2.1	-0.9	-0.5	19.5	20.8	19.9	21.2	21.6
	4H 2H	2.6	4.0	3.0	4.4	4.7	14.2	15.7	14.6	16.0	16.4
	3H	2.9	4.2	3.3	4.5	4.9	17.0	18.3	17.4	18.6	19.0
	4H	3.0	4.1	3.4	4.5	5.0	18.1	19.3	18.5	19.7	20.1
	6H	3.0	4.1	3.5	4.5	4.9	19.1	20.1	19.5	20.5	21.0
	8H	3.0	4.0	3.5	4.4	4.9	19.5	20.5	20.0	21.0	21.4
	12H	3.0	3.9	3.5	4.3	4.8	20.0	20.9	20.5	21.4	21.9
	8H 4H	5.4	6.4	5.9	6.8	7.3	18.0	19.0	18.5	19.4	19.9
	6H	5.6	6.4	6.1	6.9	7.4	19.0	19.8	19.5	20.3	20.8
	8H	5.7	6.4	6.2	6.9	7.5	19.6	20.3	20.1	20.8	21.3
	12H	5.8	6.4	6.3	6.9	7.5	20.2	20.9	20.8	21.4	21.9
	12H 4H	6.0	6.9	6.5	7.4	7.9	17.9	18.8	18.4	19.3	19.8
	6H	6.4	7.2	7.0	7.7	8.2	19.0	19.7	19.5	20.2	20.7
	8H	6.6	7.3	7.2	7.8	8.3	19.6	20.2	20.1	20.7	21.3
Variations with the observer position at spacings:											
S = 1.0H		+ 0.6 / - 0.6				+ 0.2 / - 0.2					
1.5H		+ 0.9 / - 0.4				+ 0.3 / - 0.3					
2.0H		+ 0.9 / - 0.5				+ 1.2 / - 1.2					

CIE Pub.117, 15.50 lm Total Lamp Luminous Flux Corrected (8log(F/F0) = -14.5)
 Area: 0.1 m2

C Range: 0 - 360DEG	γ Range: 0 - 180DEG
C Interval: 10.0DEG	γ Interval: 1.0DEG
Test Speed: HIGH	Test System:EVERFINE GO-R5000_V2 SYSTEM V2.00.417
Temperature:25.3DEG	Humidity:65.0%
Operators:AKRAM BASHA.H/BALAMURUGAN.	Test Distance:1.852m [K=1.0000]
Test Date:04 September 2020	Remarks:

UTILIZATION FACTORS TABLE

Test:U:230.54V I:0.0152A P:3.3362W PF:0.9522 Freq:49.99Hz Lamp Flux:15.4988x1 lm		
NAME: SUDO MINI - SPOT	TYPE:PATH FINDERS	WEIGHT:0.6Kg
SPEC.:CW, LUMILED'S 2835	DIM.: 76 x 90 x 130	SERIAL No.:1782
MFR.: K-LITE	SUR.:	Shielding Angle:

REFLECTANCE										
Ceiling	0.8	0.8	0.8	0.7	0.7	0.7	0.5	0.5	0.5	0
Walls	0.7	0.5	0.3	0.7	0.5	0.3	0.7	0.5	0.3	0
Working plane	0.2	0.2	0.2	0.2	0.2	0.2	0.2	0.2	0.2	0
ROOM INDEX	UTILIZATION FACTORS (PERCENT) $k(RI) \times RCR = 5$									
$k = 0.60$	50	37	29	49	37	29	48	36	29	22
0.80	60	46	38	58	46	38	56	45	37	30
1.00	68	55	47	67	54	46	64	56	46	38
1.25	75	63	55	74	62	54	71	61	53	45
1.50	81	69	61	79	68	60	75	66	59	50
2.00	89	78	70	86	77	69	82	74	68	59
2.50	93	84	76	91	82	75	86	79	73	64
3.00	97	89	82	95	87	81	90	84	78	68
4.00	102	95	89	99	93	87	94	89	84	74
5.00	105	99	94	102	97	92	97	92	88	78
ROOM INDEX	UF (total)									Direct
According to DIN EN 13032-2 2004			Suspended				SHRNOM = 1.25			

C Range: 0 - 360DEG

C Interval: 10.0DEG

Test Speed: HIGH

Temperature: 25.3DEG

Operators: AKRAM BASHA.H/BALAMURUGAN.

Test Date: 04 September 2020

γ Range: 0 - 180DEG

γ Interval: 1.0DEG

Test System: EVERFINE GO-R5000_V2 SYSTEM V2.00.417

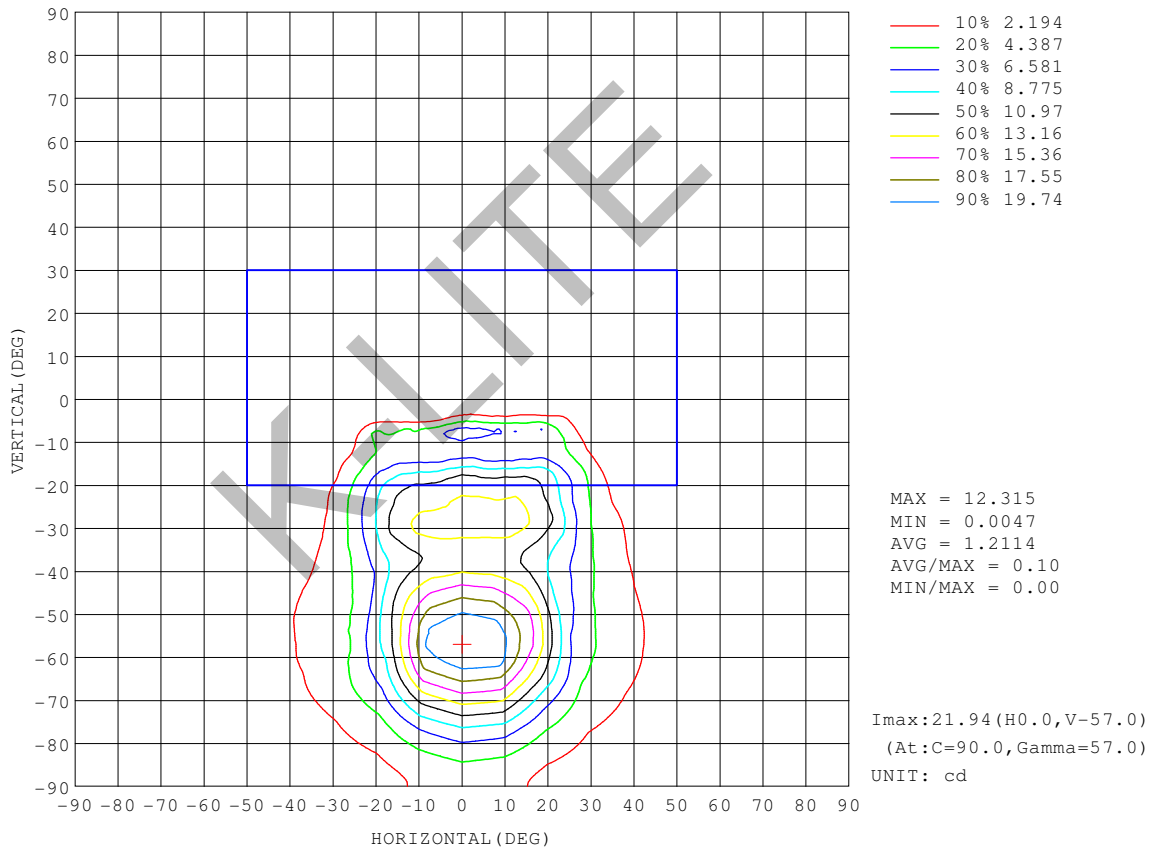
Humidity: 65.0%

Test Distance: 1.852m [K=1.0000]

Remarks:

ISOCANDELA DIAGRAM

Test:U:230.54V I:0.0152A P:3.3362W PF:0.9522 Freq:49.99Hz Lamp Flux:15.4988x1 lm		
NAME: SUDO MINI - SPOT	TYPE:PATH FINDERS	WEIGHT:0.6Kg
SPEC.:CW, LUMILED'S 2835	DIM.: 76 x 90 x 130	SERIAL No.:1782
MFR.: K-LITE	SUR.:	Shielding Angle:



C Range: 0 - 360DEG

C Interval: 10.0DEG

Test Speed: HIGH

Temperature: 25.3DEG

Operators: AKRAM BASHA.H/BALAMURUGAN. STest Distance: 1.852m [K=1.0000]

Test Date: 04 September 2020

γ Range: 0 - 180DEG

γ Interval: 1.0DEG

Test System: EVERFINE GO-R5000_V2 SYSTEM V2.00.417

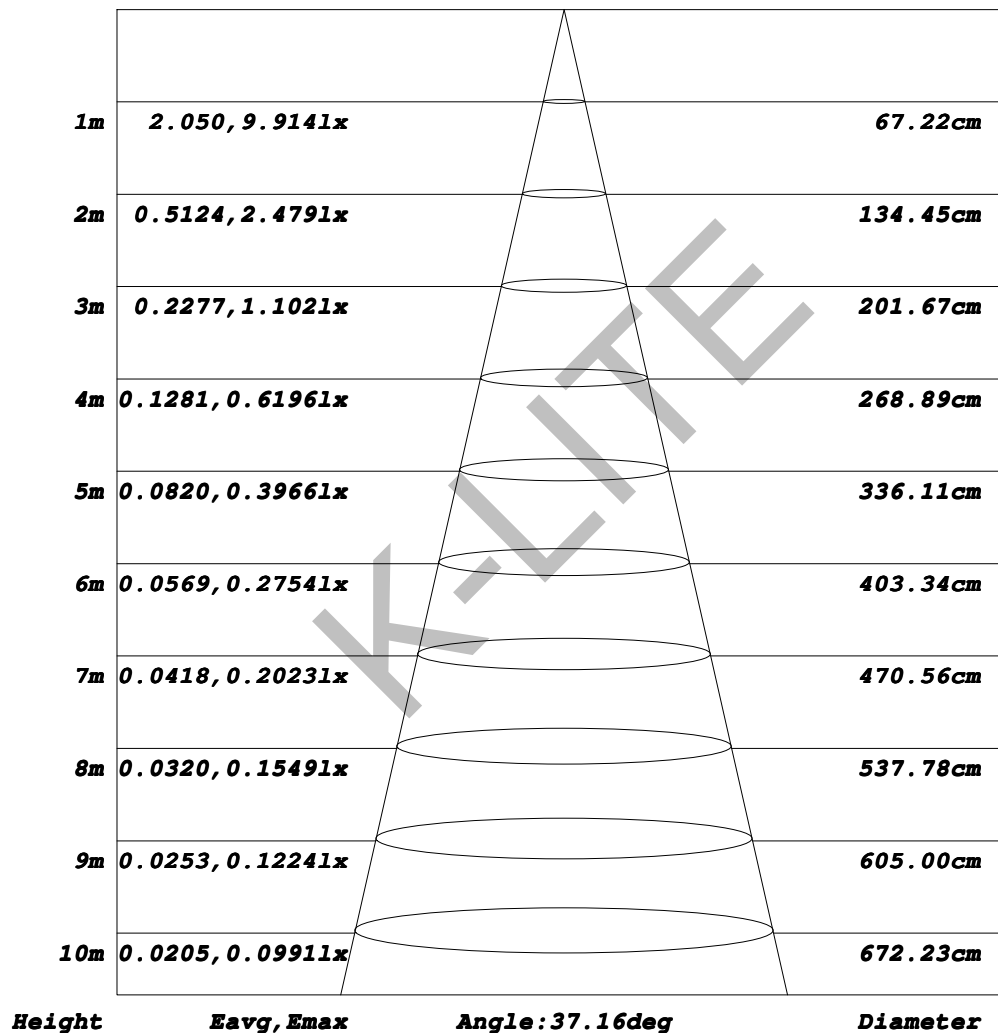
Humidity: 65.0%

Remarks:

AAI Figure

Test:U:230.54V I:0.0152A P:3.3362W PF:0.9522 Freq:49.99Hz Lamp Flux:15.4988x1 lm		
NAME: SUDO MINI - SPOT	TYPE:PATH FINDERS	WEIGHT:0.6Kg
SPEC.:CW, LUMILED'S 2835	DIM.: 76 x 90 x 130	SERIAL No.:1782
MFR.: K-LITE	SUR.:	Shielding Angle:

Flux out:0.7634 lm



Note:The Curves indicate the illuminated area and the average illumination when the luminaire is at different distance.

C Range: 0 - 360DEG

C Interval: 10.0DEG

Test Speed: HIGH

Temperature:25.3DEG

Operators:AKRAM BASHA.H/BALAMURUGAN.

Test Date:04 September 2020

γ Range: 0 - 180DEG

γ Interval: 1.0DEG

Test System:EVERFINE GO-R5000_V2 SYSTEM V2.00.417

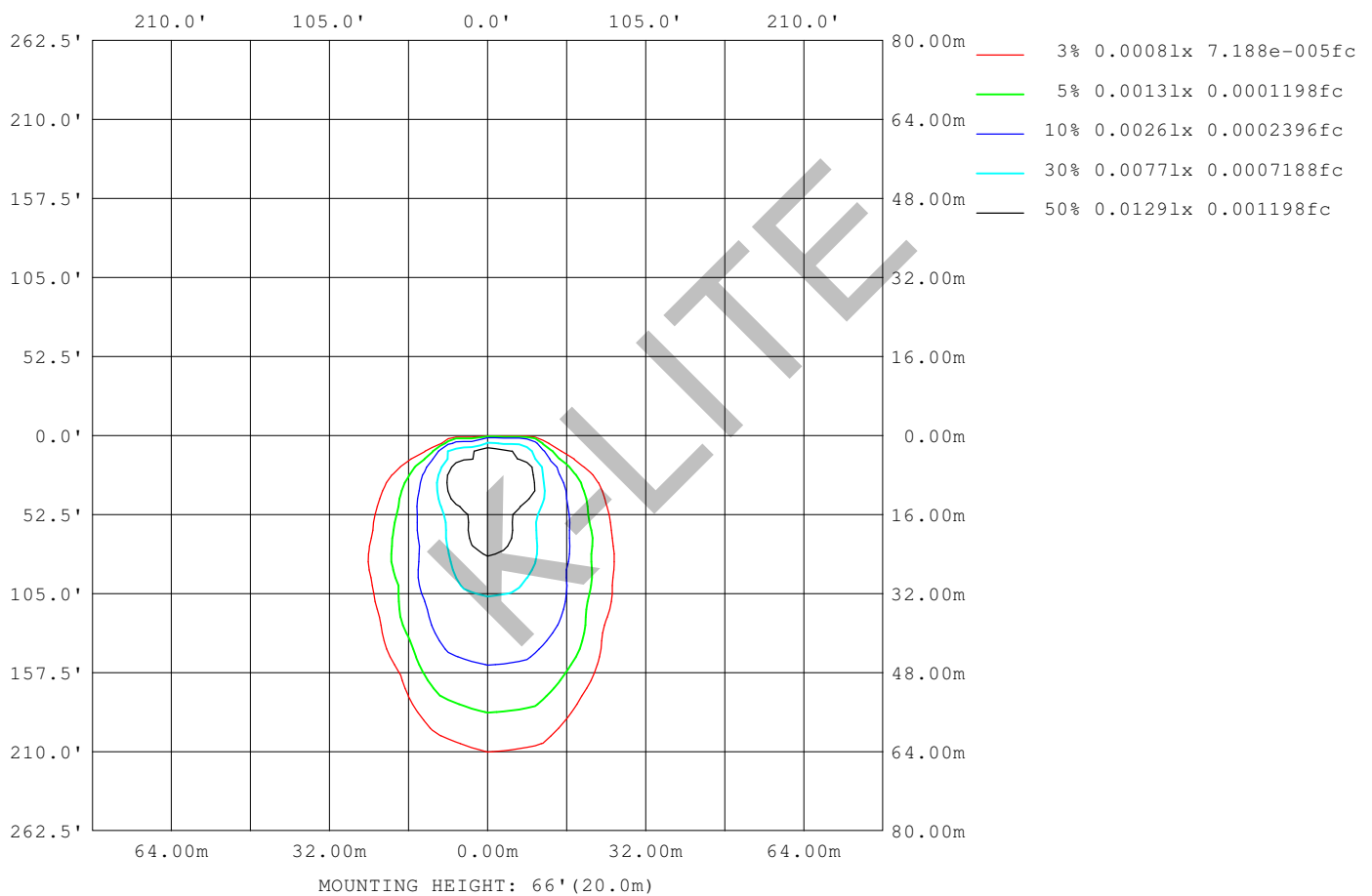
Humidity:65.0%

Test Distance:1.852m [K=1.0000]

Remarks:

ISOLUX DIAGRAM

Test:U:230.54V I:0.0152A P:3.3362W PF:0.9522 Freq:49.99Hz Lamp Flux:15.4988x1 lm		
NAME: SUDO MINI - SPOT	TYPE:PATH FINDERS	WEIGHT:0.6Kg
SPEC.:CW, LUMILED'S 2835	DIM.: 76 x 90 x 130	SERIAL No.:1782
MFR.: K-LITE	SUR.:	Shielding Angle:



C Range: 0 - 360DEG

C Interval: 10.0DEG

Test Speed: HIGH

Temperature: 25.3DEG

Operators: AKRAM BASHA.H/BALAMURUGAN.

Test Date: 04 September 2020

γ Range: 0 - 180DEG

γ Interval: 1.0DEG

Test System: EVERFINE GO-R5000_V2 SYSTEM V2.00.417

Humidity: 65.0%

Test Distance: 1.852m [K=1.0000]

Remarks:

LED Avg.L Report

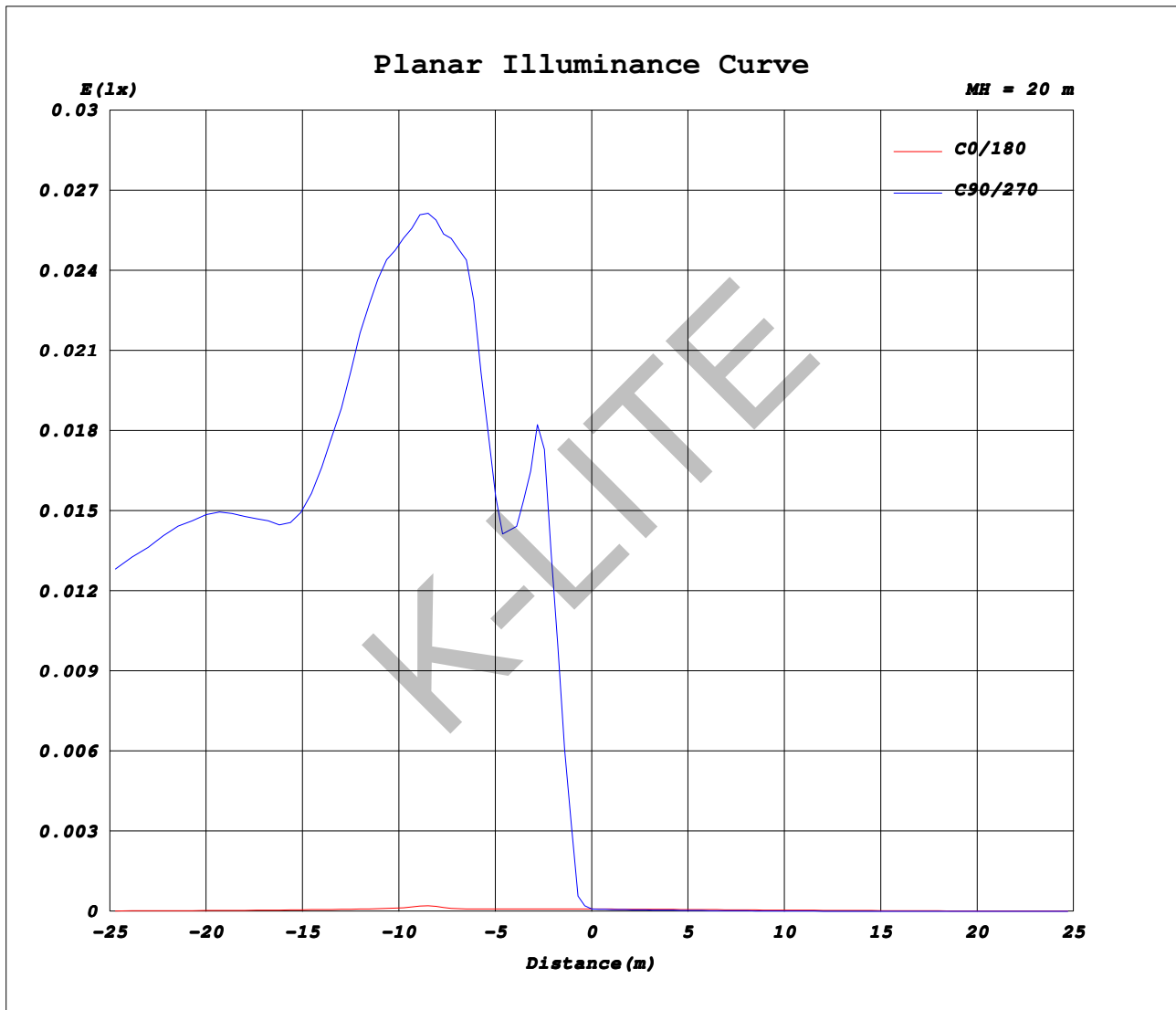
Test:U:230.54V I:0.0152A P:3.3362W PF:0.9522 Freq:49.99Hz Lamp Flux:15.4988x1 lm		
NAME: SUDO MINI - SPOT	TYPE:PATH FINDERS	WEIGHT:0.6Kg
SPEC.:CW, LUMILED'S 2835	DIM.: 76 x 90 x 130	SERIAL No.:1782
MFR.: K-LITE	SUR.:	Shielding Angle:

AvgL	cd/m2
L_0~180 (65) av	0
L_0~180 (75) av	0
L_0~180 (85) av	0
L_90~270 (65) av	209
L_90~270 (75) av	186
L_90~270 (85) av	233
L_45 (65) av	26
L_45 (75) av	29
L_45 (85) av	48

Standard: GB/T 29293-2012

C Range: 0 - 360DEG**C Interval: 10.0DEG****Test Speed: HIGH****Temperature:25.3DEG****Operators:AKRAM BASHA.H/BALAMURUGAN.****Test Date:04 September 2020****γ Range: 0 - 180DEG****γ Interval: 1.0DEG****Test System:EVERFINE GO-R5000_V2 SYSTEM V2.00.417****Humidity:65.0%****Test Distance:1.852m [K=1.0000]****Remarks:**

Planar Illuminance Curve



C Range: 0 - 360DEG

C Interval: 10.0DEG

Test Speed: HIGH

Temperature: 25.3DEG

Operators: AKRAM BASHA.H/BALAMURUGAN

Test Date: 04 September 2020

γ Range: 0 - 180DEG

γ Interval: 1.0DEG

Test System: EVERFINE GO-R5000_V2 SYSTEM V2.00.417

Humidity: 65.0%

Test Distance: 1.852m [K=1.0000]

Remarks:

LUMINOUS DISTRIBUTION INTENSITY DATA

Test:U:230.54V I:0.0152A P:3.3362W PF:0.9522 Freq:49.99Hz Lamp Flux:15.4988x1 lm		
NAME: SUDO MINI - SPOT	TYPE:PATH FINDERS	WEIGHT:0.6Kg
SPEC.:CW, LUMILED'S 2835	DIM.: 76 x 90 x 130	SERIAL No.:1782
MFR.: K-LITE	SUR.:	Shielding Angle:

Table--1

UNIT: cd

C (DEG) γ (DEG)	0	10	20	30	40	50	60	70	80	90	100	110	120	130	140	150	160	170	180
0	0.04	0.04	0.04	0.04	0.04	0.04	0.04	0.04	0.04	0.04	0.04	0.04	0.04	0.04	0.04	0.04	0.04	0.04	0.04
5	0.04	0.09	0.19	0.77	1.81	2.26	3.32	3.64	4.16	3.94	3.80	3.18	2.56	1.45	0.88	0.25	0.15	0.07	0.03
10	0.04	0.21	1.54	3.69	5.93	6.78	6.63	6.23	6.17	6.32	6.27	6.26	6.34	5.93	3.96	1.88	0.41	0.13	0.03
15	0.04	1.06	4.09	6.64	5.59	4.93	5.62	6.18	7.78	7.77	7.14	6.09	5.84	4.84	4.81	5.47	2.05	0.17	0.03
20	0.05	1.88	6.75	5.24	5.97	8.00	10.5	11.2	12.0	11.9	11.5	10.4	9.61	7.02	5.51	5.24	4.24	0.33	0.03
25	0.09	2.16	4.55	5.08	9.75	11.5	13.2	12.9	13.7	13.5	12.7	12.2	12.1	9.73	6.66	4.11	3.02	0.33	0.03
30	0.06	0.77	2.54	5.47	8.84	11.2	13.6	14.1	14.1	13.7	13.8	13.6	12.4	9.40	6.29	3.21	1.03	0.26	0.03
35	0.05	0.50	1.29	4.09	6.52	10.5	12.2	12.2	11.9	11.9	11.7	11.7	11.3	7.58	4.70	2.16	0.82	0.28	0.03
40	0.04	0.42	1.14	2.38	4.71	7.72	9.49	11.0	12.3	12.7	11.7	10.3	8.65	5.43	2.73	1.51	0.80	0.31	0.02
45	0.04	0.41	1.03	1.94	3.41	5.64	8.43	12.8	15.8	16.5	14.8	11.1	6.50	3.83	2.18	1.36	0.82	0.34	0.02
50	0.03	0.44	1.04	1.67	2.58	4.65	7.96	14.9	18.8	19.6	17.7	11.6	5.40	3.12	1.91	1.31	0.81	0.34	0.02
55	0.03	0.44	0.95	1.52	2.34	3.86	7.38	15.3	20.7	21.3	19.2	10.9	4.94	3.00	1.89	1.25	0.78	0.33	0.01
60	0.03	0.41	0.83	1.34	2.20	3.33	6.33	14.1	20.6	20.9	18.8	9.57	4.55	2.97	1.79	1.14	0.68	0.29	0.01
65	0.02	0.34	0.70	1.17	1.99	3.05	5.19	11.6	17.4	17.6	15.7	7.87	4.28	2.48	1.63	1.01	0.57	0.22	0.01
70	0.01	0.26	0.58	0.99	1.65	2.57	4.14	8.18	13.4	13.7	11.6	5.99	3.61	2.10	1.40	0.87	0.48	0.17	0.01
75	0.01	0.21	0.47	0.81	1.30	1.93	3.03	5.51	9.28	9.64	7.82	4.10	2.54	1.66	1.15	0.72	0.39	0.14	0.00
80	0.00	0.16	0.37	0.63	0.97	1.40	2.06	3.51	5.95	6.33	5.00	2.73	1.84	1.26	0.90	0.58	0.32	0.11	0.00
85	0.00	0.12	0.28	0.48	0.73	1.01	1.43	2.18	3.69	4.07	3.12	1.81	1.32	0.95	0.69	0.47	0.25	0.08	0.00
90	0.00	0.09	0.22	0.37	0.55	0.77	1.10	1.60	2.79	3.15	2.43	1.41	1.03	0.72	0.52	0.34	0.18	0.05	0.00
95	0.00	0.00	0.00	0.19	0.46	0.68	1.02	1.49	2.55	2.86	2.24	1.31	0.93	0.62	0.41	0.26	0.00	0.01	0.00
100	0.00	0.04	0.13	0.22	0.00	0.00	0.33	1.16	2.04	2.27	1.81	1.08	0.52	0.00	0.00	0.14	0.10	0.00	0.00
105	0.00	0.03	0.09	0.16	0.24	0.38	0.00	0.00	0.00	0.00	0.00	0.00	0.00	0.15	0.17	0.11	0.07	0.00	0.00
110	0.00	0.02	0.04	0.06	0.09	0.19	0.00	0.00	0.89	0.97	0.79	0.17	0.00	0.03	0.05	0.04	0.03	0.00	0.00
115	0.00	0.00	0.01	0.02	0.01	0.00	0.00	0.04	0.44	0.49	0.39	0.24	0.00	0.00	0.00	0.01	0.00	0.00	0.00
120	0.00	0.00	0.00	0.00	0.00	0.00	0.00	0.05	0.13	0.15	0.10	0.03	0.00	0.00	0.00	0.00	0.00	0.00	0.00
125	0.00	0.00	0.00	0.00	0.00	0.00	0.00	0.01	0.01	0.00	0.01	0.01	0.00	0.00	0.00	0.00	0.00	0.00	0.00
130	0.00	0.00	0.00	0.00	0.00	0.00	0.00	0.01	0.00	0.00	0.01	0.01	0.00	0.00	0.00	0.00	0.00	0.00	0.00
135	0.00	0.00	0.00	0.00	0.00	0.00	0.00	0.00	0.00	0.00	0.00	0.00	0.00	0.00	0.00	0.00	0.00	0.00	0.00
140	0.00	0.00	0.00	0.00	0.00	0.00	0.00	0.00	0.00	0.00	0.00	0.00	0.00	0.00	0.00	0.00	0.00	0.00	0.00
145	0.00	0.00	0.00	0.00	0.00	0.00	0.00	0.00	0.00	0.00	0.00	0.00	0.00	0.00	0.00	0.00	0.00	0.00	0.00
150	0.00	0.00	0.00	0.00	0.00	0.00	0.00	0.00	0.00	0.00	0.00	0.00	0.00	0.00	0.00	0.00	0.00	0.00	0.00
155	0.00	0.00	0.00	0.00	0.00	0.00	0.00	0.00	0.00	0.00	0.00	0.00	0.00	0.00	0.00	0.00	0.00	0.00	0.00
160	0.00	0.00	0.00	0.00	0.00	0.00	0.00	0.00	0.00	0.00	0.00	0.00	0.00	0.00	0.00	0.00	0.00	0.00	0.00
165	0.00	0.00	0.00	0.00	0.00	0.00	0.00	0.00	0.00	0.00	0.00	0.00	0.00	0.00	0.00	0.00	0.00	0.00	0.00
170	0.00	0.00	0.00	0.00	0.00	0.00	0.00	0.00	0.00	0.00	0.00	0.00	0.00	0.00	0.00	0.00	0.00	0.00	0.00
175	0.00	0.00	0.00	0.00	0.00	0.00	0.00	0.00	0.00	0.00	0.00	0.00	0.00	0.00	0.00	0.00	0.00	0.00	0.00
180	0.00	0.00	0.00	0.00	0.00	0.00	0.00	0.00	0.00	0.00	0.00	0.00	0.00	0.00	0.00	0.00	0.00	0.00	0.00

C Range: 0 - 360DEG

C Interval: 10.0DEG

Test Speed: HIGH

Temperature:25.3DEG

Operators:AKRAM BASHA.H/BALAMURUGAN

Test Date:04 September 2020

γ Range: 0 - 180DEG

γ Interval: 1.0DEG

Test System:EVERFINE GO-R5000_V2 SYSTEM V2.00.417

Humidity:65.0%

Test Distance:1.852m [K=1.0000]

Remarks:

LUMINOUS DISTRIBUTION INTENSITY DATA

Test:U:230.54V I:0.0152A P:3.3362W PF:0.9522 Freq:49.99Hz Lamp Flux:15.4988x1 lm		
NAME: SUDO MINI - SPOT	TYPE:PATH FINDERS	WEIGHT:0.6Kg
SPEC.:CW, LUMILED'S 2835	DIM.: 76 x 90 x 130	SERIAL No.:1782
MFR.: K-LITE	SUR.:	Shielding Angle:

Table--2

UNIT: cd

C (DEG) \ γ (DEG)	190	200	210	220	230	240	250	260	270	280	290	300	310	320	330	340	350		
0	0.04	0.04	0.04	0.04	0.04	0.04	0.04	0.04	0.04	0.04	0.04	0.04	0.04	0.04	0.04	0.04	0.04		
5	0.03	0.03	0.03	0.03	0.03	0.03	0.03	0.03	0.03	0.03	0.03	0.03	0.03	0.03	0.03	0.03	0.03		
10	0.03	0.03	0.03	0.02	0.02	0.02	0.02	0.02	0.02	0.02	0.02	0.02	0.02	0.02	0.03	0.03	0.03	0.03	
15	0.03	0.03	0.02	0.02	0.02	0.02	0.02	0.02	0.02	0.02	0.02	0.02	0.02	0.02	0.02	0.02	0.03	0.03	
20	0.02	0.02	0.02	0.02	0.02	0.01	0.01	0.01	0.01	0.01	0.01	0.01	0.01	0.02	0.02	0.02	0.02	0.03	
25	0.02	0.02	0.02	0.01	0.01	0.01	0.01	0.01	0.01	0.01	0.01	0.01	0.01	0.01	0.02	0.02	0.02	0.03	
30	0.02	0.02	0.01	0.01	0.01	0.01	0.01	0.01	0.01	0.01	0.01	0.01	0.01	0.01	0.01	0.02	0.02	0.02	
35	0.02	0.02	0.01	0.01	0.01	0.01	0.00	0.00	0.00	0.00	0.01	0.01	0.01	0.01	0.01	0.01	0.02	0.02	
40	0.02	0.01	0.01	0.01	0.01	0.00	0.00	0.00	0.00	0.00	0.00	0.00	0.01	0.01	0.01	0.01	0.02	0.02	
45	0.02	0.01	0.01	0.01	0.00	0.00	0.00	0.00	0.00	0.00	0.00	0.00	0.00	0.01	0.01	0.01	0.01	0.02	
50	0.01	0.01	0.01	0.00	0.00	0.00	0.00	0.00	0.00	0.00	0.00	0.00	0.00	0.00	0.00	0.01	0.01	0.01	
55	0.01	0.01	0.00	0.00	0.00	0.00	0.00	0.00	0.00	0.00	0.00	0.00	0.00	0.00	0.00	0.01	0.01	0.01	
60	0.01	0.00	0.00	0.00	0.00	0.00	0.00	0.00	0.00	0.00	0.00	0.00	0.00	0.00	0.00	0.00	0.01	0.01	
65	0.01	0.00	0.00	0.00	0.00	0.00	0.00	0.00	0.00	0.00	0.00	0.00	0.00	0.00	0.00	0.00	0.00	0.01	
70	0.00	0.00	0.00	0.00	0.00	0.00	0.00	0.00	0.00	0.00	0.00	0.00	0.00	0.00	0.00	0.00	0.00	0.00	
75	0.00	0.00	0.00	0.00	0.00	0.00	0.00	0.00	0.00	0.00	0.00	0.00	0.00	0.00	0.00	0.00	0.00	0.00	
80	0.00	0.00	0.00	0.00	0.00	0.00	0.00	0.00	0.00	0.00	0.00	0.00	0.00	0.00	0.00	0.00	0.00	0.00	
85	0.00	0.00	0.00	0.00	0.00	0.00	0.00	0.00	0.00	0.00	0.00	0.00	0.00	0.00	0.00	0.00	0.00	0.00	
90	0.00	0.00	0.00	0.00	0.00	0.00	0.00	0.00	0.00	0.00	0.00	0.00	0.00	0.00	0.00	0.00	0.00	0.00	
95	0.00	0.00	0.00	0.00	0.00	0.00	0.00	0.00	0.00	0.00	0.00	0.00	0.00	0.00	0.00	0.00	0.00	0.00	
100	0.00	0.00	0.00	0.00	0.00	0.00	0.00	0.00	0.00	0.00	0.00	0.00	0.00	0.00	0.00	0.00	0.00	0.00	
105	0.00	0.00	0.00	0.00	0.00	0.00	0.00	0.00	0.00	0.00	0.00	0.00	0.00	0.00	0.00	0.00	0.00	0.00	
110	0.00	0.00	0.00	0.00	0.00	0.00	0.00	0.00	0.00	0.00	0.00	0.00	0.00	0.00	0.00	0.00	0.00	0.00	
115	0.00	0.00	0.00	0.00	0.00	0.00	0.00	0.00	0.00	0.00	0.00	0.00	0.00	0.00	0.00	0.00	0.00	0.00	
120	0.00	0.00	0.00	0.00	0.00	0.00	0.00	0.00	0.00	0.00	0.00	0.00	0.00	0.00	0.00	0.00	0.00	0.00	
125	0.00	0.00	0.00	0.00	0.00	0.00	0.00	0.00	0.00	0.00	0.00	0.00	0.00	0.00	0.00	0.00	0.00	0.00	
130	0.00	0.00	0.00	0.00	0.00	0.00	0.00	0.00	0.00	0.00	0.00	0.00	0.00	0.00	0.00	0.00	0.00	0.00	
135	0.00	0.00	0.00	0.00	0.00	0.00	0.00	0.00	0.00	0.00	0.00	0.00	0.00	0.00	0.00	0.00	0.00	0.00	
140	0.00	0.00	0.00	0.00	0.00	0.00	0.00	0.00	0.00	0.00	0.00	0.00	0.00	0.00	0.00	0.00	0.00	0.00	
145	0.00	0.00	0.00	0.00	0.00	0.00	0.00	0.00	0.00	0.00	0.00	0.00	0.00	0.00	0.00	0.00	0.00	0.00	
150	0.00	0.00	0.00	0.00	0.00	0.00	0.00	0.00	0.00	0.00	0.00	0.00	0.00	0.00	0.00	0.00	0.00	0.00	
155	0.00	0.00	0.00	0.00	0.00	0.00	0.00	0.00	0.00	0.00	0.00	0.00	0.00	0.00	0.00	0.00	0.00	0.00	
160	0.00	0.00	0.00	0.00	0.00	0.00	0.00	0.00	0.00	0.00	0.00	0.00	0.00	0.00	0.00	0.00	0.00	0.00	
165	0.00	0.00	0.00	0.00	0.00	0.00	0.00	0.00	0.00	0.00	0.00	0.00	0.00	0.00	0.00	0.00	0.00	0.00	
170	0.00	0.00	0.00	0.00	0.00	0.00	0.00	0.00	0.00	0.00	0.00	0.00	0.00	0.00	0.00	0.00	0.00	0.00	
175	0.00	0.00	0.00	0.00	0.00	0.00	0.00	0.00	0.00	0.00	0.00	0.00	0.00	0.00	0.00	0.00	0.00	0.00	
180	0.00	0.00	0.00	0.00	0.00	0.00	0.00	0.00	0.00	0.00	0.00	0.00	0.00	0.00	0.00	0.00	0.00	0.00	

C Range: 0 - 360DEG

C Interval: 10.0DEG

Test Speed: HIGH

Temperature:25.3DEG

Operators:AKRAM BASHA.H/BALAMURUGAN

Test Date:04 September 2020

γ Range: 0 - 180DEG

γ Interval: 1.0DEG

Test System:EVERFINE GO-R5000_V2 SYSTEM V2.00.417

Humidity:65.0%

Test Distance:1.852m [K=1.0000]

Remarks:



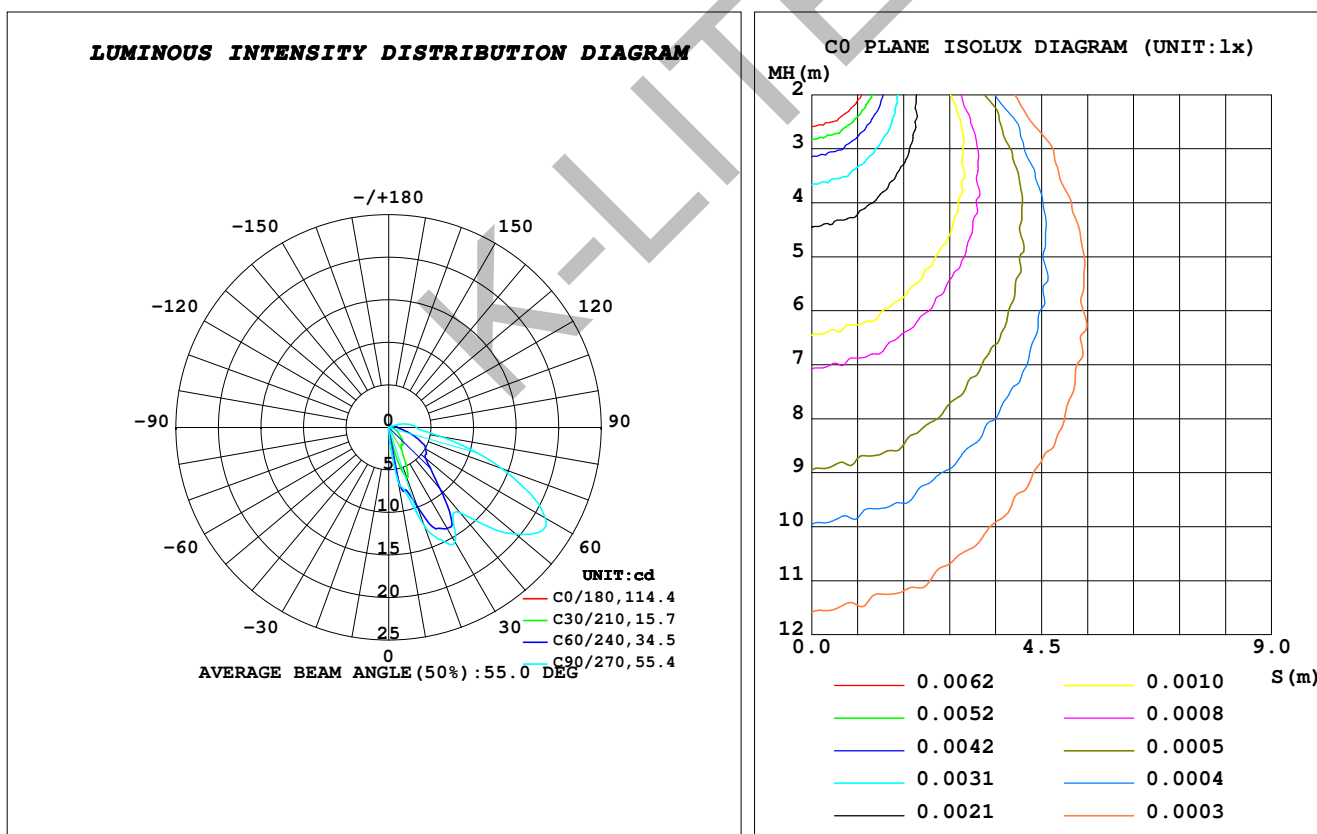
Light Output Ratio:	100.0%	
Luminaire Power:	3.337 W	
SHR Nominal:	0.00	Calculated using the TM5
SHR Maximum:	1.00	fine grid method.

C Range: 0 - 360DEG**C Interval: 10.0DEG****Test Speed: HIGH****Temperature: 25.3DEG****Operators: AKRAM BASHA.H/BALAMURUGAN.****Test Date: 04 September 2020** **γ Range: 0 - 180DEG** **γ Interval: 1.0DEG****Test System: EVERFINE GO-R5000_V2 SYSTEM V2.00.417****Humidity: 65.0%****Test Distance: 1.852m [K=1.0000]****Remarks:**

LUMINAIRE PHOTOMETRIC TEST REPORT

Test:U:230.52V I:0.0152A P:3.3373W PF:0.9536 Freq:49.99Hz Lamp Flux:16.6049x1 lm		
NAME: SUDO MINI - SPOT	TYPE:PATH FINDERS	WEIGHT:0.6Kg
SPEC.:NW, LUMILED'S 2835	DIM.: 76 x 90 x 130	SERIAL No.:1783
MFR.: K-LITE	SUR.:	Shielding Angle:

DATA OF LAMP		PHOTOMETRIC DATA			
MODEL	KL-2762	Imax (cd)	21.91	S/MH (C0/180)	1.39
NOMINAL POWER (W)	3	LOR (%)	100.0	S/MH (C90/270)	0.52
RATED VOLTAGE (V)	230	TOTAL FLUX (lm)	16.605	η UP, DN (C0-180)	4.7, 95.1
NOMINAL FLUX (lm)	16.6049	CIE CLASS	DIRECT	η UP, DN (C180-360)	0.0, 0.2
LAMPS INSIDE	1	η up (%)	4.7	CIBSE SHR NOM	0.00
TEST VOLTAGE (V)	230	η down (%)	95.3	CIBSE SHR MAX	1.00



C Range: 0 - 360DEG

C Interval: 10.0DEG

Test Speed: HIGH

Temperature: 25.3DEG

Operators: AKRAM BASHA.H/BALAMURUGAN. STest Distance: 1.852m [K=1.0000]

Test Date: 04 September 2020

γ Range: 0 - 180DEG

γ Interval: 1.0DEG

Test System: EVERFINE GO-R5000_V2 SYSTEM V2.00.417

Humidity: 65.0%

Remarks:

ZONAL FLUX DIAGRAM

ZONAL FLUX DIAGRAM:

γ	C0	C45	C90	C135	C180	C225	C270	C315	γ	ϕ zone	ϕ total	%lum, lamp
10	0.0402	3.234	6.500	2.927	0.0426	0.0305	0.0266	0.0298	0- 10	0.0705	0.0705	0.42,0.42
20	0.0367	7.486	12.42	7.703	0.0419	0.0225	0.0170	0.0212	10- 20	0.7742	0.8447	5.09,5.09
30	0.0330	8.490	15.55	11.03	0.0392	0.0147	0.0083	0.0150	20- 30	1.991	2.836	17.1,17.1
40	0.0281	5.033	13.12	7.177	0.0352	0.0089	0.0012	0.0076	30- 40	2.427	5.263	31.7,31.7
50	0.0222	3.291	19.50	3.703	0.0308	0.0035	0	0.0018	40- 50	2.517	7.781	46.9,46.9
60	0.0150	2.668	21.26	3.079	0.0241	0.0010	0	0	50- 60	3.012	10.79	65,65
70	0.0094	1.885	14.19	2.334	0.0172	0.0004	0	0	60- 70	2.679	13.47	81.1,81.1
80	0.0054	1.046	6.219	1.424	0.0158	0	0	0	70- 80	1.599	15.07	90.8,90.8
90	0	0.6375	3.291	0.8117	0.0059	0	0	0	80- 90	0.7560	15.83	95.3,95.3
100	0	0.4313	2.306	0.5388	0	0	0	0	90-100	0.5132	16.34	98.4,98.4
110	0	0.0267	0.8377	0.0557	0	0	0	0	100-110	0.2516	16.59	99.9,99.9
120	0	0	0.1591	0	0	0	0	0	110-120	0.0122	16.60	100,100
130	0	0	0	0	0	0	0	0	120-130	0.0014	16.60	100,100
140	0	0	0	0	0	0	0	0	130-140	0.0000	16.60	100,100
150	0	0	0	0	0	0	0	0	140-150	0	16.60	100,100
160	0	0	0	0	0	0	0	0	150-160	0	16.60	100,100
170	0	0	0	0	0	0	0	0	160-170	0.0000	16.60	100,100
180	0	0	0	0	0	0	0	0	170-180	0	16.60	100,100
DEG	LUMINOUS INTENSITY:cd								UNIT:lm			

C Range: 0 - 360DEG

C Interval: 10.0DEG

Test Speed: HIGH

Temperature:25.3DEG

Operators:AKRAM BASHA.H/BALAMURUGAN.

Test Date:04 September 2020

γ Range: 0 - 180DEG

γ Interval: 1.0DEG

Test System:EVERFINE GO-R5000_V2 SYSTEM V2.00.417

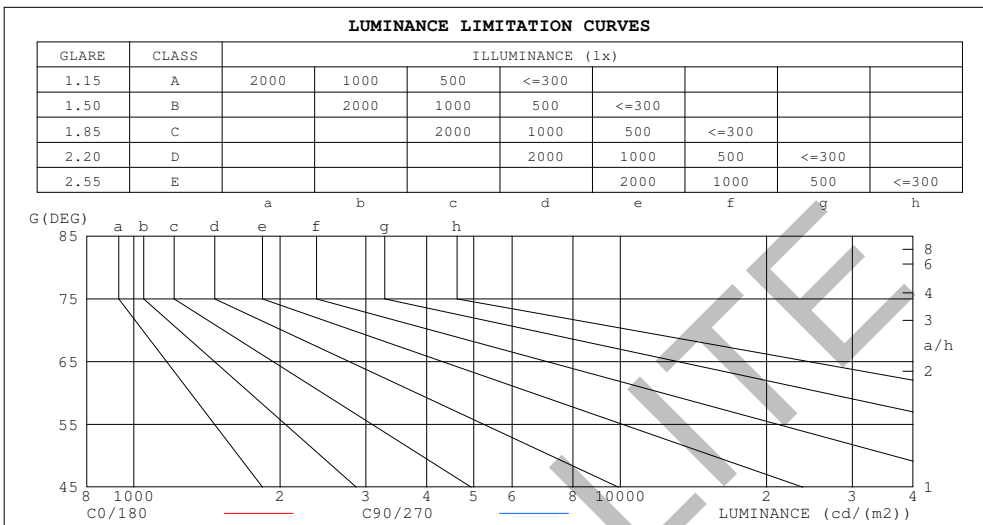
Humidity:65.0%

Test Distance:1.852m [K=1.0000]

Remarks:

LUMINANCE LIMITATION CURVES

Test:U:230.52V I:0.0152A P:3.3373W PF:0.9536 Freq:49.99Hz Lamp Flux:16.6049x1 lm		
NAME: SUDO MINI - SPOT	TYPE:PATH FINDERS	WEIGHT:0.6Kg
SPEC.:NW, LUMILED'S 2835	DIM.: 76 x 90 x 130	SERIAL No.:1783
MFR.: K-LITE	SUR.:	Shielding Angle:



LUMINANCE cd/(m2)		
G (DEG)	C0/180	C90/270
85	0	449
80	0	364
75	0	391
70	0	422
65	0	440
60	0	432
55	0	381
50	0	308
45	0	235

C Range: 0 - 360DEG

C Interval: 10.0DEG

Test Speed: HIGH

Temperature: 25.3DEG

Operators: AKRAM BASHA.H/BALAMURUGAN. Test Distance: 1.852m [K=1.0000]

Test Date: 04 September 2020

γ Range: 0 - 180DEG

γ Interval: 1.0DEG

Test System: EVERFINE GO-R5000_V2 SYSTEM V2.00.417

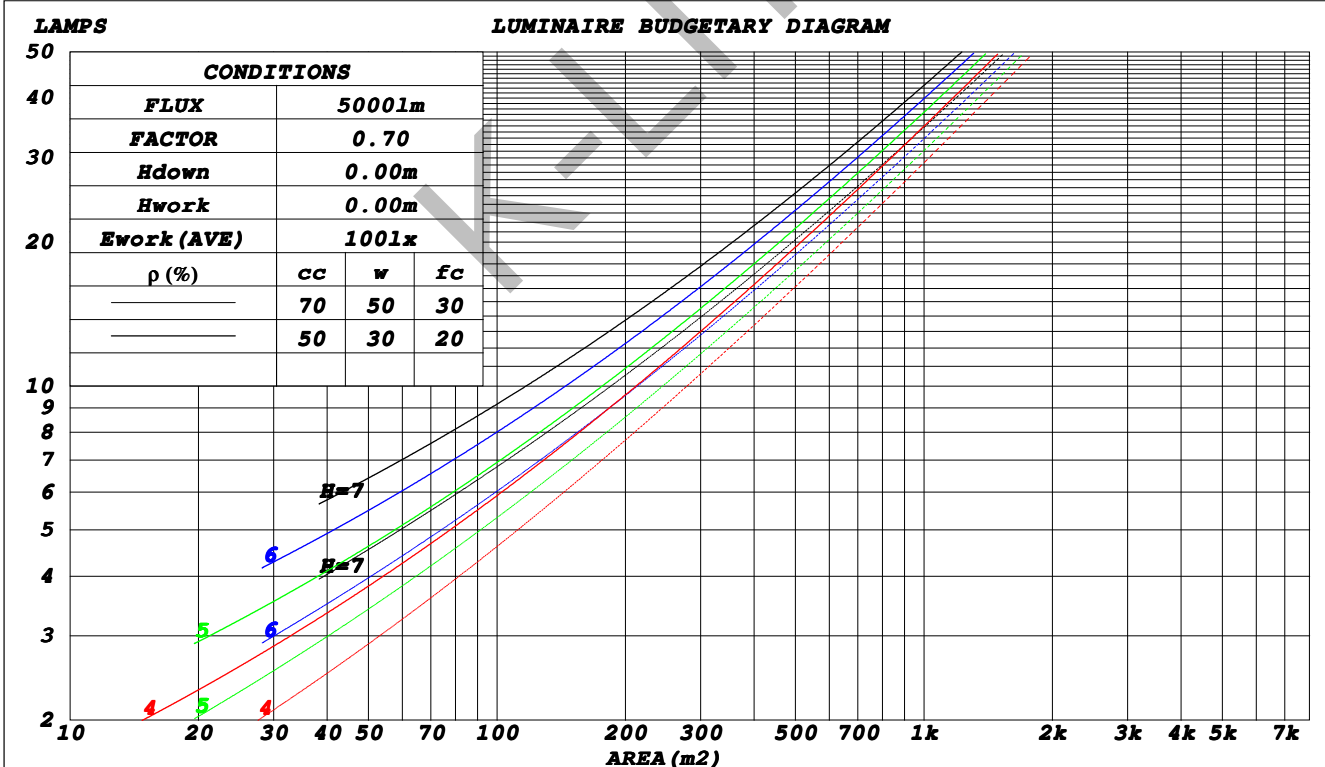
Humidity: 65.0%

Remarks:

CU AND LUMINAIRE BUDGETARY ESTIMATE DIAGRAM

Test:U:230.52V I:0.0152A P:3.3373W PF:0.9536 Freq:49.99Hz Lamp Flux:16.6049x1 lm		
NAME: SUDO MINI - SPOT	TYPE:PATH FINDERS	WEIGHT:0.6Kg
SPEC.:NW, LUMILED'S 2835	DIM.: 76 x 90 x 130	SERIAL No.:1783
MFR.: K-LITE	SUR.:	Shielding Angle:

ρcc	80%			70%			50%			30%			10%			0
	50%	30%	10%	50%	30%	10%	50%	30%	10%	50%	30%	10%	50%	30%	10%	0
ρw	20%			20%			20%			20%			20%			0
ρfc	20%			20%			20%			20%			20%			0
RCR	RCR:Room Cavity Ratio															
	Coefficients of Utilization (CU)															
0.0	1.18	1.18	1.18	1.15	1.15	1.15	1.09	1.09	1.09	1.03	1.03	1.03	.98	.98	.98	.95
1.0	.00	.94	.90	.97	.92	.88	.92	.88	.84	.87	.84	.81	.82	.80	.78	.75
2.0	.85	.77	.70	.82	.75	.69	.78	.72	.66	.74	.69	.64	.70	.66	.62	.59
3.0	.73	.63	.56	.71	.62	.55	.67	.60	.54	.63	.57	.52	.60	.55	.50	.48
4.0	.63	.53	.46	.62	.52	.45	.58	.50	.44	.55	.48	.43	.53	.47	.42	.39
5.0	.56	.46	.38	.54	.45	.38	.51	.43	.37	.49	.42	.36	.46	.40	.35	.33
6.0	.49	.39	.32	.48	.39	.32	.46	.37	.31	.43	.36	.31	.41	.35	.30	.28
7.0	.44	.35	.28	.43	.34	.28	.41	.33	.27	.39	.32	.26	.37	.31	.26	.24
8.0	.40	.31	.24	.39	.30	.24	.37	.29	.23	.35	.28	.23	.34	.27	.23	.20
9.0	.36	.27	.21	.35	.27	.21	.34	.26	.21	.32	.25	.20	.31	.25	.20	.18
10.0	.33	.24	.19	.32	.24	.19	.31	.23	.18	.30	.23	.18	.28	.22	.18	.16



C Range: 0 - 360DEG

C Interval: 10.0DEG

Test Speed: HIGH

Temperature: 25.3DEG

Operators: AKRAM BASHA.H/BALAMURUGAN. Test Distance: 1.852m [K=1.0000]

Test Date: 04 September 2020

γ Range: 0 - 180DEG

γ Interval: 1.0DEG

Test System: EVERFINE GO-R5000_V2 SYSTEM V2.00.417

Humidity: 65.0%

Remarks:

WEC AND CCEC

Test:U:230.52V I:0.0152A P:3.3373W PF:0.9536 Freq:49.99Hz Lamp Flux:16.6049x1 lm		
NAME: SUDO MINI - SPOT	TYPE:PATH FINDERS	WEIGHT:0.6Kg
SPEC.:NW, LUMILED'S 2835	DIM.: 76 x 90 x 130	SERIAL No.:1783
MFR.: K-LITE	SUR.:	Shielding Angle:

ρ_{cc}	80%			70%			50%			30%			10%			0
ρ_w	50%	30%	10%	50%	30%	10%	50%	30%	10%	50%	30%	10%	50%	30%	10%	0
ρ_{fc}	20%			20%			20%			20%			20%			0
RCR	RCR:Room Cavity Ratio						Wall Exitance Coefficients (WEC)									
0.0																
1.0	.370	.211	.067	.362	.206	.066	.345	.198	.063	.331	.191	.061	.317	.184	.059	
2.0	.336	.184	.057	.329	.181	.056	.314	.175	.054	.301	.169	.053	.288	.163	.051	
3.0	.305	.162	.049	.298	.160	.048	.285	.154	.047	.273	.150	.046	.262	.145	.045	
4.0	.277	.144	.042	.271	.142	.042	.260	.138	.041	.249	.134	.040	.239	.130	.039	
5.0	.254	.129	.037	.248	.127	.037	.238	.124	.036	.228	.120	.036	.219	.117	.035	
6.0	.233	.117	.033	.228	.115	.033	.219	.112	.033	.210	.109	.032	.201	.106	.032	
7.0	.215	.106	.030	.211	.105	.030	.202	.102	.029	.194	.100	.029	.187	.097	.029	
8.0	.200	.098	.027	.196	.096	.027	.188	.094	.027	.181	.092	.026	.174	.089	.026	
9.0	.186	.090	.025	.183	.089	.025	.176	.087	.025	.169	.085	.024	.163	.083	.024	
10.0	.174	.084	.023	.171	.083	.023	.165	.081	.023	.159	.079	.022	.153	.077	.022	

ρ_{cc}	80%			70%			50%			30%			10%			0
ρ_w	50%	30%	10%	50%	30%	10%	50%	30%	10%	50%	30%	10%	50%	30%	10%	0
ρ_{fc}	20%			20%			20%			20%			20%			0
RCR	RCR:Room Cavity Ratio						Ceiling Cavity Exitance Coefficients (CCEC)									
0.0	.226	.226	.226	.193	.193	.193	.132	.132	.132	.076	.076	.076	.024	.024	.024	
1.0	.221	.192	.166	.189	.164	.143	.129	.113	.099	.074	.065	.057	.024	.021	.019	
2.0	.214	.168	.129	.184	.145	.111	.126	.100	.078	.073	.058	.046	.023	.019	.015	
3.0	.208	.151	.106	.178	.130	.092	.122	.090	.064	.071	.053	.038	.023	.017	.012	
4.0	.200	.138	.091	.172	.119	.079	.118	.083	.055	.068	.049	.033	.022	.016	.011	
5.0	.193	.128	.080	.166	.111	.070	.114	.078	.049	.066	.046	.029	.021	.015	.010	
6.0	.186	.120	.073	.160	.104	.064	.110	.073	.045	.064	.043	.027	.021	.014	.009	
7.0	.179	.113	.068	.154	.098	.059	.106	.069	.042	.062	.041	.025	.020	.013	.008	
8.0	.172	.108	.064	.148	.094	.056	.102	.066	.040	.060	.039	.024	.019	.013	.008	
9.0	.165	.103	.061	.142	.089	.053	.099	.063	.038	.057	.037	.022	.019	.012	.007	
10.0	.159	.099	.058	.137	.086	.051	.095	.060	.036	.056	.036	.022	.018	.012	.007	

C Range: 0 - 360DEG

C Interval: 10.0DEG

Test Speed: HIGH

Temperature: 25.3DEG

Operators: AKRAM BASHA.H/BALAMURUGAN.

Test Date: 04 September 2020

γ Range: 0 - 180DEG

γ Interval: 1.0DEG

Test System: EVERFINE GO-R5000_V2 SYSTEM V2.00.417

Humidity: 65.0%

Test Distance: 1.852m [K=1.0000]

Remarks:

UGR(Unified Glare Rating) Table

Test:U:230.52V I:0.0152A P:3.3373W PF:0.9536 Freq:49.99Hz Lamp Flux:16.6049x1 lm		
NAME: SUDO MINI - SPOT	TYPE:PATH FINDERS	WEIGHT:0.6Kg
SPEC.:NW, LUMILED'S 2835	DIM.: 76 x 90 x 130	SERIAL No.:1783
MFR.: K-LITE	SUR.:	Shielding Angle:

ceiling/cavity	0.7	0.7	0.5	0.5	0.3	0.7	0.7	0.5	0.5	0.3
walls	0.5	0.3	0.5	0.3	0.3	0.5	0.3	0.5	0.3	0.3
working plane	0.2	0.2	0.2	0.2	0.2	0.2	0.2	0.2	0.2	0.2
Room dimensions	Viewed crosswise					Viewed endwise				
x = 2H y = 2H	-3.5	-1.9	-3.2	-1.6	-1.3	13.6	15.3	14.0	15.6	15.9
3H	-3.4	-1.9	-3.0	-1.5	-1.2	16.3	17.8	16.7	18.2	18.5
4H	-3.4	-2.0	-3.0	-1.6	-1.2	17.3	18.8	17.7	19.1	19.5
6H	-3.4	-2.1	-3.0	-1.7	-1.3	18.1	19.4	18.5	19.8	20.2
8H	-3.5	-2.2	-3.1	-1.8	-1.4	18.4	19.7	18.8	20.1	20.5
12H	-3.5	-2.3	-3.1	-1.9	-1.5	18.7	20.0	19.1	20.4	20.8
4H 2H	1.2	2.6	1.6	2.9	3.3	13.3	14.8	13.7	15.1	15.5
3H	1.5	2.8	1.9	3.2	3.6	16.1	17.4	16.5	17.8	18.2
4H	1.6	2.7	2.0	3.2	3.6	17.2	18.4	17.7	18.8	19.2
6H	1.6	2.6	2.1	3.1	3.5	18.2	19.2	18.6	19.6	20.1
8H	1.6	2.5	2.1	3.0	3.5	18.6	19.6	19.1	20.0	20.5
12H	1.5	2.4	2.0	2.9	3.4	19.1	20.0	19.6	20.5	21.0
8H 4H	3.9	4.9	4.4	5.3	5.8	17.1	18.0	17.6	18.5	19.0
6H	4.1	5.0	4.7	5.4	6.0	18.1	18.9	18.6	19.4	19.9
8H	4.2	4.9	4.8	5.4	6.0	18.6	19.3	19.2	19.9	20.4
12H	4.2	4.9	4.8	5.4	6.0	19.3	19.9	19.8	20.4	21.0
12H 4H	4.5	5.4	5.0	5.9	6.4	17.0	17.9	17.5	18.4	18.9
6H	5.0	5.7	5.5	6.2	6.7	18.1	18.8	18.6	19.3	19.8
8H	5.1	5.8	5.7	6.3	6.9	18.6	19.2	19.2	19.8	20.3
Variations with the observer position at spacings:										
S = 1.0H	+ 0.5 / - 0.5					+ 0.1 / - 0.1				
1.5H	+ 0.7 / - 0.3					+ 0.5 / - 0.7				
2.0H	+ 1.0 / - 0.6					+ 1.6 / - 1.6				

CIE Pub.117, 16.60 lm Total Lamp Luminous Flux Corrected (8log(F/F0) = -14.2)
 Area: 0.1 m2

C Range: 0 - 360DEG γ Range: 0 - 180DEG
 C Interval: 10.0DEG γ Interval: 1.0DEG
 Test Speed: HIGH Test System:EVERFINE GO-R5000_V2 SYSTEM V2.00.417
 Temperature:25.3DEG Humidity:65.0%
 Operators:AKRAM BASHA.H/BALAMURUGAN. Test Distance:1.852m [K=1.0000]
 Test Date:04 September 2020 Remarks:

UTILIZATION FACTORS TABLE

Test:U:230.52V I:0.0152A P:3.3373W PF:0.9536 Freq:49.99Hz Lamp Flux:16.6049x1 Lm		
NAME: SUDO MINI - SPOT	TYPE:PATH FINDERS	WEIGHT:0.6Kg
SPEC.:NW, LUMILED'S 2835	DIM.: 76 x 90 x 130	SERIAL No.:1783
MFR.: K-LITE	SUR.:	Shielding Angle:

REFLECTANCE										
Ceiling	0.8	0.8	0.8	0.7	0.7	0.7	0.5	0.5	0.5	0
Walls	0.7	0.5	0.3	0.7	0.5	0.3	0.7	0.5	0.3	0
Working plane	0.2	0.2	0.2	0.2	0.2	0.2	0.2	0.2	0.2	0
ROOM INDEX	UTILIZATION FACTORS (PERCENT) $k(RI) \times RCR = 5$									
$k = 0.60$	50	37	29	49	37	29	48	36	29	22
0.80	60	46	38	58	46	38	56	45	38	30
1.00	68	55	47	67	54	46	64	56	46	38
1.25	75	63	55	74	62	54	71	61	53	45
1.50	81	69	61	79	68	60	75	66	59	50
2.00	88	78	70	86	77	69	82	74	68	58
2.50	93	84	76	91	82	75	86	79	73	63
3.00	97	88	82	94	87	80	90	83	78	68
4.00	102	95	89	99	92	87	94	89	84	74
5.00	105	99	93	102	96	92	97	92	88	77
ROOM INDEX	UF (total)									Direct
According to DIN EN 13032-2 2004			Suspended				SHR NOM = 1.25			

C Range: 0 - 360DEG

C Interval: 10.0DEG

Test Speed: HIGH

Temperature: 25.3DEG

Operators: AKRAM BASHA.H/BALAMURUGAN. ST

Test Date: 04 September 2020

γ Range: 0 - 180DEG

γ Interval: 1.0DEG

Test System: EVERFINE GO-R5000_V2 SYSTEM V2.00.417

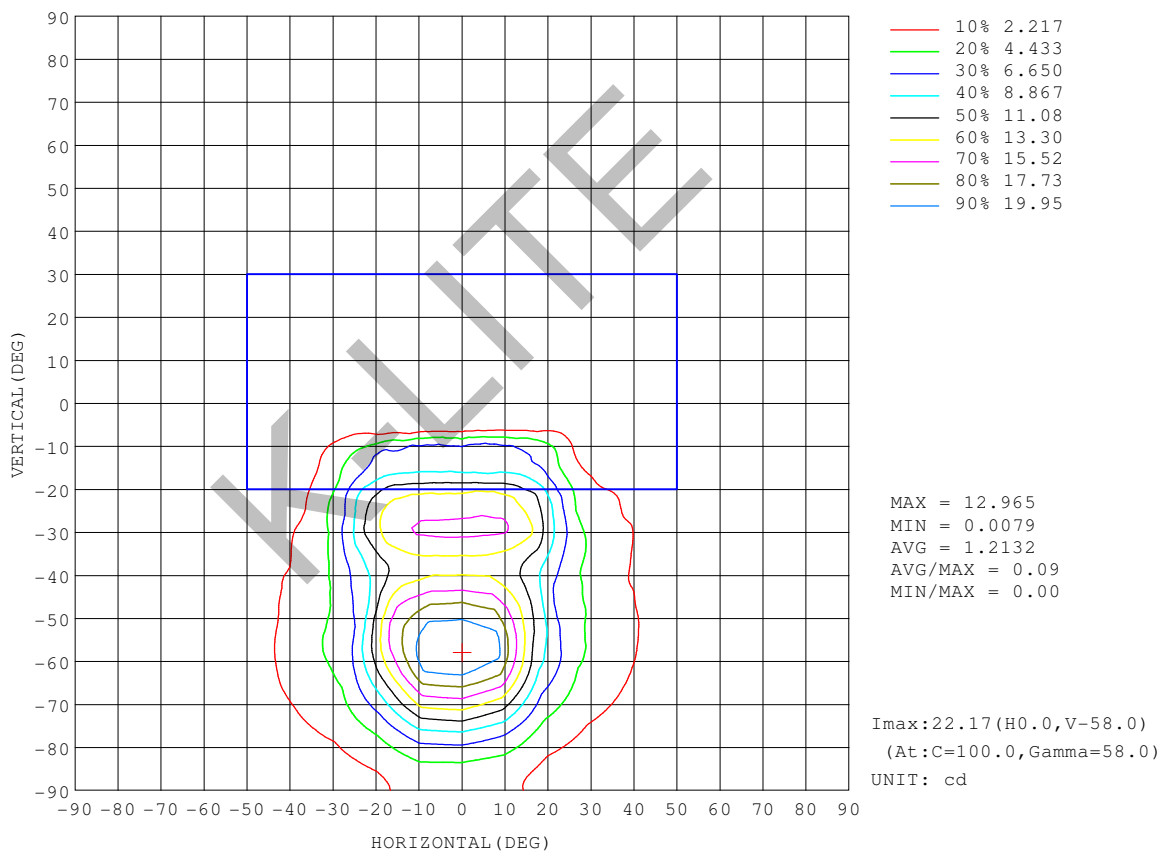
Humidity: 65.0%

Test Distance: 1.852m [K=1.0000]

Remarks:

ISOCANDELA DIAGRAM

Test:U:230.52V I:0.0152A P:3.3373W PF:0.9536 Freq:49.99Hz Lamp Flux:16.6049x1 lm		
NAME: SUDO MINI - SPOT	TYPE:PATH FINDERS	WEIGHT:0.6Kg
SPEC.:NW, LUMILED'S 2835	DIM.: 76 x 90 x 130	SERIAL No.:1783
MFR.: K-LITE	SUR.:	Shielding Angle:



C Range: 0 - 360DEG

C Interval: 10.0DEG

Test Speed: HIGH

Temperature:25.3DEG

Operators:AKRAM BASHA.H/BALAMURUGAN.

Test Date:04 September 2020

γ Range: 0 - 180DEG

γ Interval: 1.0DEG

Test System:EVERFINE GO-R5000_V2 SYSTEM V2.00.417

Humidity:65.0%

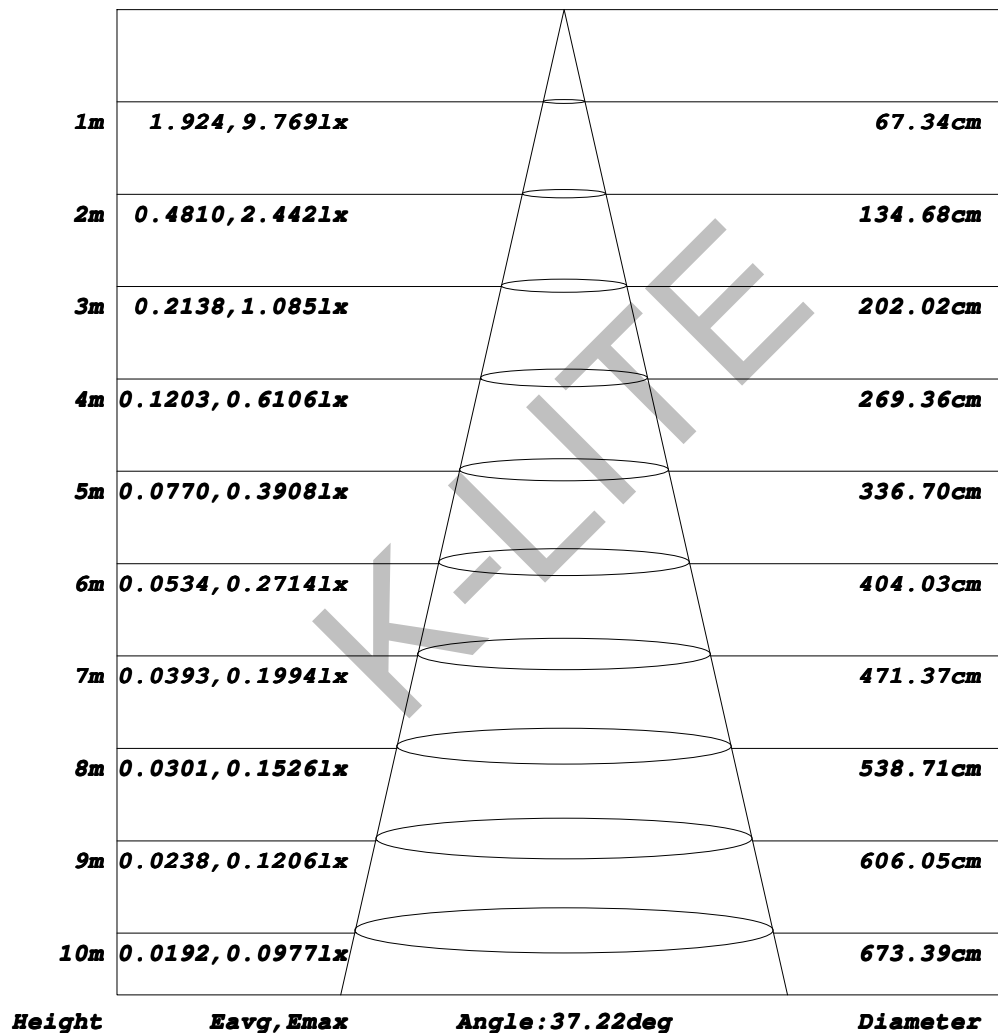
Test Distance:1.852m [K=1.0000]

Remarks:

AAI Figure

Test:U:230.52V I:0.0152A P:3.3373W PF:0.9536 Freq:49.99Hz Lamp Flux:16.6049x1 lm		
NAME: SUDO MINI - SPOT	TYPE:PATH FINDERS	WEIGHT:0.6Kg
SPEC.:NW, LUMILED'S 2835	DIM.: 76 x 90 x 130	SERIAL No.:1783
MFR.: K-LITE	SUR.:	Shielding Angle:

Flux out:0.7167 lm



Note: The Curves indicate the illuminated area and the average illumination when the luminaire is at different distance.

C Range: 0 - 360DEG

C Interval: 10.0DEG

Test Speed: HIGH

Temperature: 25.3DEG

Operators: AKRAM BASHA.H/BALAMURUGAN.

Test Date: 04 September 2020

γ Range: 0 - 180DEG

γ Interval: 1.0DEG

Test System: EVERFINE GO-R5000_V2 SYSTEM V2.00.417

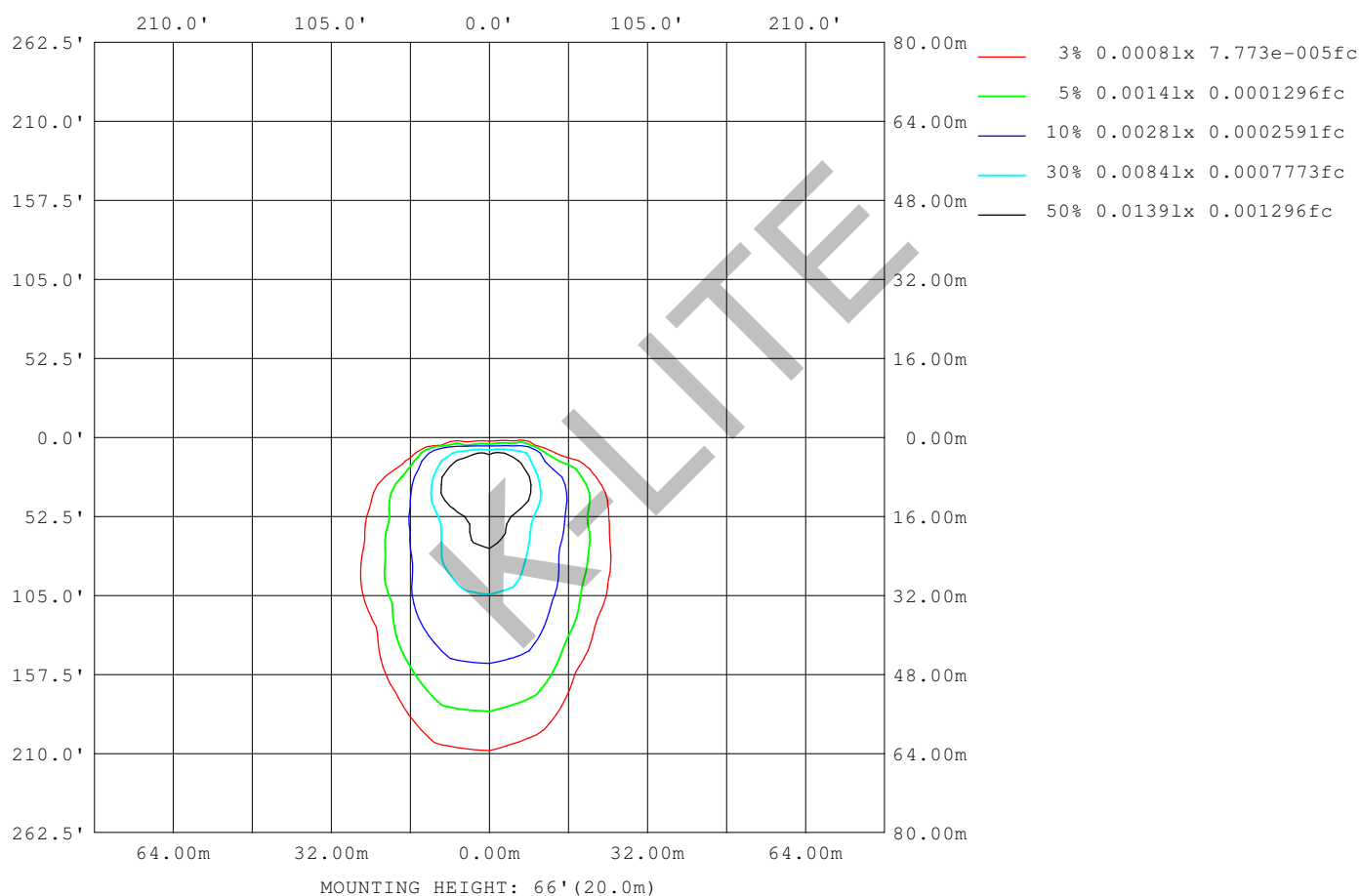
Humidity: 65.0%

Test Distance: 1.852m [K=1.0000]

Remarks:

ISOLUX DIAGRAM

Test:U:230.52V I:0.0152A P:3.3373W PF:0.9536 Freq:49.99Hz Lamp Flux:16.6049x1 lm		
NAME: SUDO MINI - SPOT	TYPE:PATH FINDERS	WEIGHT:0.6Kg
SPEC.:NW, LUMILED'S 2835	DIM.: 76 x 90 x 130	SERIAL No.:1783
MFR.: K-LITE	SUR.:	Shielding Angle:



C Range: 0 - 360DEG

C Interval: 10.0DEG

Test Speed: HIGH

Temperature: 25.3DEG

Operators: AKRAM BASHA.H/BALAMURUGAN.

Test Date: 04 September 2020

γ Range: 0 - 180DEG

γ Interval: 1.0DEG

Test System: EVERFINE GO-R5000_V2 SYSTEM V2.00.417

Humidity: 65.0%

Test Distance: 1.852m [K=1.0000]

Remarks:

LED Avg.L Report

Test:U:230.52V I:0.0152A P:3.3373W PF:0.9536 Freq:49.99Hz Lamp Flux:16.6049x1 lm		
NAME: SUDO MINI - SPOT	TYPE:PATH FINDERS	WEIGHT:0.6Kg
SPEC.:NW, LUMILED'S 2835	DIM.: 76 x 90 x 130	SERIAL No.:1783
MFR.: K-LITE	SUR.:	Shielding Angle:

AvgL	cd/m2
L_0~180 (65) av	0
L_0~180 (75) av	0
L_0~180 (85) av	1
L_90~270 (65) av	217
L_90~270 (75) av	192
L_90~270 (85) av	221
L_45 (65) av	29
L_45 (75) av	32
L_45 (85) av	51

Standard: GB/T 29293-2012

C Range: 0 - 360DEG

C Interval: 10.0DEG

Test Speed: HIGH

Temperature:25.3DEG

Operators:AKRAM BASHA.H/BALAMURUGAN.

Test Date:04 September 2020

γ Range: 0 - 180DEG

γ Interval: 1.0DEG

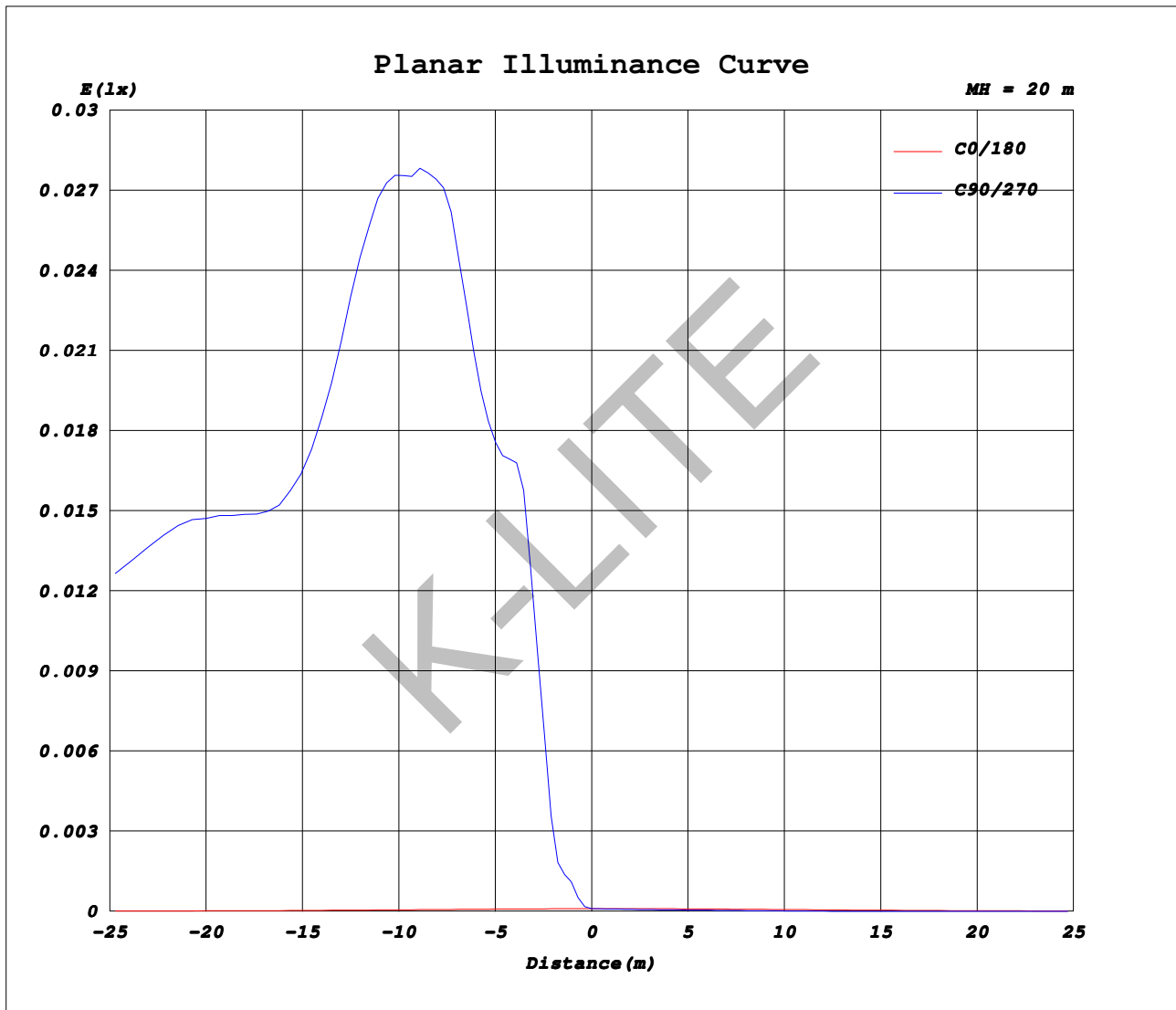
Test System:EVERFINE GO-R5000_V2 SYSTEM V2.00.417

Humidity:65.0%

Test Distance:1.852m [K=1.0000]

Remarks:

Planar Illuminance Curve



C Range: 0 - 360DEG

C Interval: 10.0DEG

Test Speed: HIGH

Temperature: 25.3DEG

Operators: AKRAM BASHA.H/BALAMURUGAN

Test Date: 04 September 2020

γ Range: 0 - 180DEG

γ Interval: 1.0DEG

Test System: EVERFINE GO-R5000_V2 SYSTEM V2.00.417

Humidity: 65.0%

Test Distance: 1.852m [K=1.0000]

Remarks:

LUMINOUS DISTRIBUTION INTENSITY DATA

Test:U:230.52V I:0.0152A P:3.3373W PF:0.9536 Freq:49.99Hz Lamp Flux:16.6049x1 lm		
NAME: SUDO MINI - SPOT	TYPE:PATH FINDERS	WEIGHT:0.6Kg
SPEC.:NW, LUMILED'S 2835	DIM.: 76 x 90 x 130	SERIAL No.:1783
MFR.: K-LITE	SUR.:	Shielding Angle:

Table--1

UNIT: cd

C (DEG) γ (DEG)	0	10	20	30	40	50	60	70	80	90	100	110	120	130	140	150	160	170	180
0	0.04	0.04	0.04	0.04	0.04	0.04	0.04	0.04	0.04	0.04	0.04	0.04	0.04	0.04	0.04	0.04	0.04	0.04	0.04
5	0.04	0.07	0.16	0.40	0.53	0.58	0.66	0.69	0.76	0.73	0.76	0.68	0.66	0.57	0.52	0.43	0.18	0.07	0.04
10	0.04	0.14	0.59	0.92	2.39	4.08	5.89	6.58	7.09	6.50	6.79	6.27	5.78	3.86	1.98	0.73	0.47	0.18	0.04
15	0.04	0.31	1.05	3.75	6.59	7.62	7.57	7.70	8.24	8.02	8.32	7.53	7.75	7.61	6.72	2.79	0.74	0.35	0.04
20	0.04	0.47	2.66	6.35	6.75	8.22	9.94	11.4	13.1	12.4	12.6	11.4	10.13	8.22	7.18	6.58	2.03	0.45	0.04
25	0.03	0.38	3.22	4.96	6.98	10.4	13.2	14.7	15.4	14.6	15.0	14.2	13.8	11.4	8.31	6.44	3.70	0.49	0.04
30	0.03	0.33	1.34	3.17	6.43	10.5	13.7	15.8	16.3	15.5	16.3	15.5	15.1	12.6	9.43	5.29	3.74	0.52	0.04
35	0.03	0.27	1.21	2.62	4.57	8.60	12.8	13.6	14.0	13.2	13.9	14.1	14.4	11.6	7.49	4.18	2.45	0.40	0.04
40	0.03	0.31	1.30	2.67	3.68	6.38	9.41	11.4	13.5	13.1	13.4	11.9	11.2	8.98	5.34	3.07	1.16	0.37	0.04
45	0.02	0.37	1.36	2.20	3.29	4.65	7.08	11.6	16.1	16.4	16.5	13.6	9.28	6.16	3.62	2.12	1.05	0.40	0.03
50	0.02	0.38	1.10	2.01	2.56	4.02	5.64	12.0	19.0	19.5	19.7	15.6	8.07	4.69	2.70	1.97	1.11	0.45	0.03
55	0.02	0.37	0.96	1.64	2.22	3.69	5.45	11.5	20.9	21.5	21.5	16.1	7.05	3.90	2.54	1.70	1.14	0.45	0.03
60	0.02	0.31	0.80	1.32	2.07	3.26	5.02	10.0	20.3	21.3	21.6	14.5	6.55	3.84	2.31	1.58	1.09	0.45	0.02
65	0.01	0.24	0.65	1.10	1.75	2.90	4.39	8.26	17.0	18.3	18.7	11.5	5.34	3.42	2.11	1.44	0.96	0.38	0.02
70	0.01	0.18	0.51	0.90	1.44	2.33	3.43	6.10	12.6	14.2	14.4	8.41	4.29	2.82	1.84	1.24	0.79	0.31	0.02
75	0.01	0.14	0.40	0.71	1.13	1.75	2.49	4.22	8.58	9.96	10.01	5.73	3.27	2.22	1.56	1.02	0.62	0.24	0.01
80	0.01	0.10	0.29	0.54	0.84	1.25	1.72	2.75	5.45	6.22	6.29	3.71	2.29	1.65	1.20	0.82	0.47	0.18	0.02
85	0.00	0.07	0.21	0.40	0.62	0.90	1.23	1.81	3.38	3.85	3.94	2.34	1.58	1.19	0.89	0.62	0.35	0.14	0.01
90	0.00	0.05	0.17	0.34	0.52	0.76	1.06	1.57	2.76	3.29	3.05	1.80	1.27	0.93	0.69	0.48	0.27	0.10	0.01
95	0.00	0.04	0.14	0.28	0.44	0.67	0.99	1.49	2.56	2.96	2.81	1.72	1.17	0.82	0.57	0.38	0.20	0.07	0.00
100	0.00	0.00	0.00	0.00	0.33	0.53	0.79	1.23	2.03	2.31	2.22	1.43	0.96	0.65	0.43	0.22	0.00	0.00	0.00
105	0.00	0.02	0.07	0.12	0.00	0.32	0.55	0.89	1.43	1.62	1.57	1.05	0.69	0.43	0.00	0.16	0.11	0.02	0.00
110	0.00	0.01	0.03	0.05	0.00	0.00	0.00	0.00	0.46	0.84	0.60	0.00	0.00	0.00	0.11	0.07	0.05	0.00	0.00
115	0.00	0.00	0.01	0.01	0.01	0.00	0.07	0.00	0.00	0.00	0.00	0.00	0.11	0.06	0.01	0.02	0.01	0.00	0.00
120	0.00	0.00	0.00	0.00	0.00	0.00	0.00	0.00	0.11	0.16	0.15	0.01	0.00	0.00	0.00	0.00	0.00	0.00	0.00
125	0.00	0.00	0.00	0.00	0.00	0.00	0.00	0.00	0.00	0.00	0.00	0.00	0.00	0.00	0.00	0.00	0.00	0.00	0.00
130	0.00	0.00	0.00	0.00	0.00	0.00	0.00	0.00	0.00	0.00	0.00	0.00	0.00	0.00	0.00	0.00	0.00	0.00	0.00
135	0.00	0.00	0.00	0.00	0.00	0.00	0.00	0.00	0.00	0.00	0.00	0.00	0.00	0.00	0.00	0.00	0.00	0.00	0.00
140	0.00	0.00	0.00	0.00	0.00	0.00	0.00	0.00	0.00	0.00	0.00	0.00	0.00	0.00	0.00	0.00	0.00	0.00	0.00
145	0.00	0.00	0.00	0.00	0.00	0.00	0.00	0.00	0.00	0.00	0.00	0.00	0.00	0.00	0.00	0.00	0.00	0.00	0.00
150	0.00	0.00	0.00	0.00	0.00	0.00	0.00	0.00	0.00	0.00	0.00	0.00	0.00	0.00	0.00	0.00	0.00	0.00	0.00
155	0.00	0.00	0.00	0.00	0.00	0.00	0.00	0.00	0.00	0.00	0.00	0.00	0.00	0.00	0.00	0.00	0.00	0.00	0.00
160	0.00	0.00	0.00	0.00	0.00	0.00	0.00	0.00	0.00	0.00	0.00	0.00	0.00	0.00	0.00	0.00	0.00	0.00	0.00
165	0.00	0.00	0.00	0.00	0.00	0.00	0.00	0.00	0.00	0.00	0.00	0.00	0.00	0.00	0.00	0.00	0.00	0.00	0.00
170	0.00	0.00	0.00	0.00	0.00	0.00	0.00	0.00	0.00	0.00	0.00	0.00	0.00	0.00	0.00	0.00	0.00	0.00	0.00
175	0.00	0.00	0.00	0.00	0.00	0.00	0.00	0.00	0.00	0.00	0.00	0.00	0.00	0.00	0.00	0.00	0.00	0.00	0.00
180	0.00	0.00	0.00	0.00	0.00	0.00	0.00	0.00	0.00	0.00	0.00	0.00	0.00	0.00	0.00	0.00	0.00	0.00	0.00

C Range: 0 - 360DEG

C Interval: 10.0DEG

Test Speed: HIGH

Temperature:25.3DEG

Operators:AKRAM BASHA.H/BALAMURUGAN

Test Date:04 September 2020

γ Range: 0 - 180DEG

γ Interval: 1.0DEG

Test System:EVERFINE GO-R5000_V2 SYSTEM V2.00.417

Humidity:65.0%

Test Distance:1.852m [K=1.0000]

Remarks:

LUMINOUS DISTRIBUTION INTENSITY DATA

Test:U:230.52V I:0.0152A P:3.3373W PF:0.9536 Freq:49.99Hz Lamp Flux:16.6049x1 lm		
NAME: SUDO MINI - SPOT	TYPE:PATH FINDERS	WEIGHT:0.6Kg
SPEC.:NW, LUMILED'S 2835	DIM.: 76 x 90 x 130	SERIAL No.:1783
MFR.: K-LITE	SUR.:	Shielding Angle:

Table--2

UNIT: cd

C (DEG) γ (DEG)	190	200	210	220	230	240	250	260	270	280	290	300	310	320	330	340	350		
0	0.04	0.04	0.04	0.04	0.04	0.04	0.04	0.04	0.04	0.04	0.04	0.04	0.04	0.04	0.04	0.04	0.04		
5	0.04	0.04	0.04	0.04	0.03	0.03	0.03	0.03	0.03	0.03	0.03	0.03	0.03	0.03	0.04	0.04	0.04		
10	0.04	0.04	0.03	0.03	0.03	0.03	0.03	0.03	0.03	0.03	0.03	0.03	0.03	0.03	0.03	0.03	0.04		
15	0.04	0.03	0.03	0.03	0.03	0.02	0.02	0.02	0.02	0.02	0.02	0.02	0.02	0.03	0.03	0.03	0.03		
20	0.03	0.03	0.03	0.02	0.02	0.02	0.02	0.02	0.02	0.02	0.02	0.02	0.02	0.02	0.03	0.03	0.03		
25	0.03	0.03	0.02	0.02	0.02	0.02	0.01	0.01	0.01	0.01	0.01	0.01	0.01	0.02	0.02	0.02	0.03		
30	0.03	0.03	0.02	0.02	0.01	0.01	0.01	0.01	0.01	0.01	0.01	0.01	0.01	0.02	0.02	0.02	0.03		
35	0.03	0.02	0.02	0.01	0.01	0.01	0.00	0.00	0.00	0.00	0.01	0.01	0.01	0.01	0.01	0.02	0.02	0.03	
40	0.03	0.02	0.02	0.01	0.01	0.00	0.00	0.00	0.00	0.00	0.00	0.00	0.01	0.01	0.01	0.01	0.02	0.02	
45	0.02	0.02	0.01	0.01	0.00	0.00	0.00	0.00	0.00	0.00	0.00	0.00	0.00	0.01	0.01	0.01	0.01	0.02	
50	0.02	0.01	0.01	0.01	0.00	0.00	0.00	0.00	0.00	0.00	0.00	0.00	0.00	0.00	0.00	0.01	0.01	0.02	
55	0.02	0.01	0.01	0.00	0.00	0.00	0.00	0.00	0.00	0.00	0.00	0.00	0.00	0.00	0.00	0.01	0.01	0.01	
60	0.02	0.01	0.01	0.00	0.00	0.00	0.00	0.00	0.00	0.00	0.00	0.00	0.00	0.00	0.00	0.01	0.01	0.01	
65	0.02	0.01	0.01	0.00	0.00	0.00	0.00	0.00	0.00	0.00	0.00	0.00	0.00	0.00	0.00	0.01	0.01	0.01	
70	0.02	0.02	0.01	0.00	0.00	0.00	0.00	0.00	0.00	0.00	0.00	0.00	0.00	0.00	0.00	0.01	0.01	0.01	
75	0.02	0.02	0.01	0.00	0.00	0.00	0.00	0.00	0.00	0.00	0.00	0.00	0.00	0.00	0.00	0.01	0.01	0.01	
80	0.03	0.03	0.02	0.00	0.00	0.00	0.00	0.00	0.00	0.00	0.00	0.00	0.00	0.00	0.00	0.02	0.01	0.01	
85	0.03	0.03	0.02	0.00	0.00	0.00	0.00	0.00	0.00	0.00	0.00	0.00	0.00	0.00	0.00	0.02	0.01	0.01	
90	0.01	0.01	0.01	0.00	0.00	0.00	0.00	0.00	0.00	0.00	0.00	0.00	0.00	0.00	0.00	0.01	0.00	0.00	
95	0.00	0.00	0.00	0.00	0.00	0.00	0.00	0.00	0.00	0.00	0.00	0.00	0.00	0.00	0.00	0.00	0.00	0.00	
100	0.00	0.00	0.00	0.00	0.00	0.00	0.00	0.00	0.00	0.00	0.00	0.00	0.00	0.00	0.00	0.00	0.00	0.00	
105	0.00	0.00	0.00	0.00	0.00	0.00	0.00	0.00	0.00	0.00	0.00	0.00	0.00	0.00	0.00	0.00	0.00	0.00	
110	0.00	0.00	0.00	0.00	0.00	0.00	0.00	0.00	0.00	0.00	0.00	0.00	0.00	0.00	0.00	0.00	0.00	0.00	
115	0.00	0.00	0.00	0.00	0.00	0.00	0.00	0.00	0.00	0.00	0.00	0.00	0.00	0.00	0.00	0.00	0.00	0.00	
120	0.00	0.00	0.00	0.00	0.00	0.00	0.00	0.00	0.00	0.00	0.00	0.00	0.00	0.00	0.00	0.00	0.00	0.00	
125	0.00	0.00	0.00	0.00	0.00	0.00	0.00	0.00	0.00	0.00	0.00	0.00	0.00	0.00	0.00	0.00	0.00	0.00	
130	0.00	0.00	0.00	0.00	0.00	0.00	0.00	0.00	0.00	0.00	0.00	0.00	0.00	0.00	0.00	0.00	0.00	0.00	
135	0.00	0.00	0.00	0.00	0.00	0.00	0.00	0.00	0.00	0.00	0.00	0.00	0.00	0.00	0.00	0.00	0.00	0.00	
140	0.00	0.00	0.00	0.00	0.00	0.00	0.00	0.00	0.00	0.00	0.00	0.00	0.00	0.00	0.00	0.00	0.00	0.00	
145	0.00	0.00	0.00	0.00	0.00	0.00	0.00	0.00	0.00	0.00	0.00	0.00	0.00	0.00	0.00	0.00	0.00	0.00	
150	0.00	0.00	0.00	0.00	0.00	0.00	0.00	0.00	0.00	0.00	0.00	0.00	0.00	0.00	0.00	0.00	0.00	0.00	
155	0.00	0.00	0.00	0.00	0.00	0.00	0.00	0.00	0.00	0.00	0.00	0.00	0.00	0.00	0.00	0.00	0.00	0.00	
160	0.00	0.00	0.00	0.00	0.00	0.00	0.00	0.00	0.00	0.00	0.00	0.00	0.00	0.00	0.00	0.00	0.00	0.00	
165	0.00	0.00	0.00	0.00	0.00	0.00	0.00	0.00	0.00	0.00	0.00	0.00	0.00	0.00	0.00	0.00	0.00	0.00	
170	0.00	0.00	0.00	0.00	0.00	0.00	0.00	0.00	0.00	0.00	0.00	0.00	0.00	0.00	0.00	0.00	0.00	0.00	
175	0.00	0.00	0.00	0.00	0.00	0.00	0.00	0.00	0.00	0.00	0.00	0.00	0.00	0.00	0.00	0.00	0.00	0.00	
180	0.00	0.00	0.00	0.00	0.00	0.00	0.00	0.00	0.00	0.00	0.00	0.00	0.00	0.00	0.00	0.00	0.00	0.00	

C Range: 0 - 360DEG

C Interval: 10.0DEG

Test Speed: HIGH

Temperature:25.3DEG

Operators:AKRAM BASHA.H/BALAMURUGAN

Test Date:04 September 2020

γ Range: 0 - 180DEG

γ Interval: 1.0DEG

Test System:EVERFINE GO-R5000_V2 SYSTEM V2.00.417

Humidity:65.0%

Test Distance:1.852m [K=1.0000]

Remarks: