



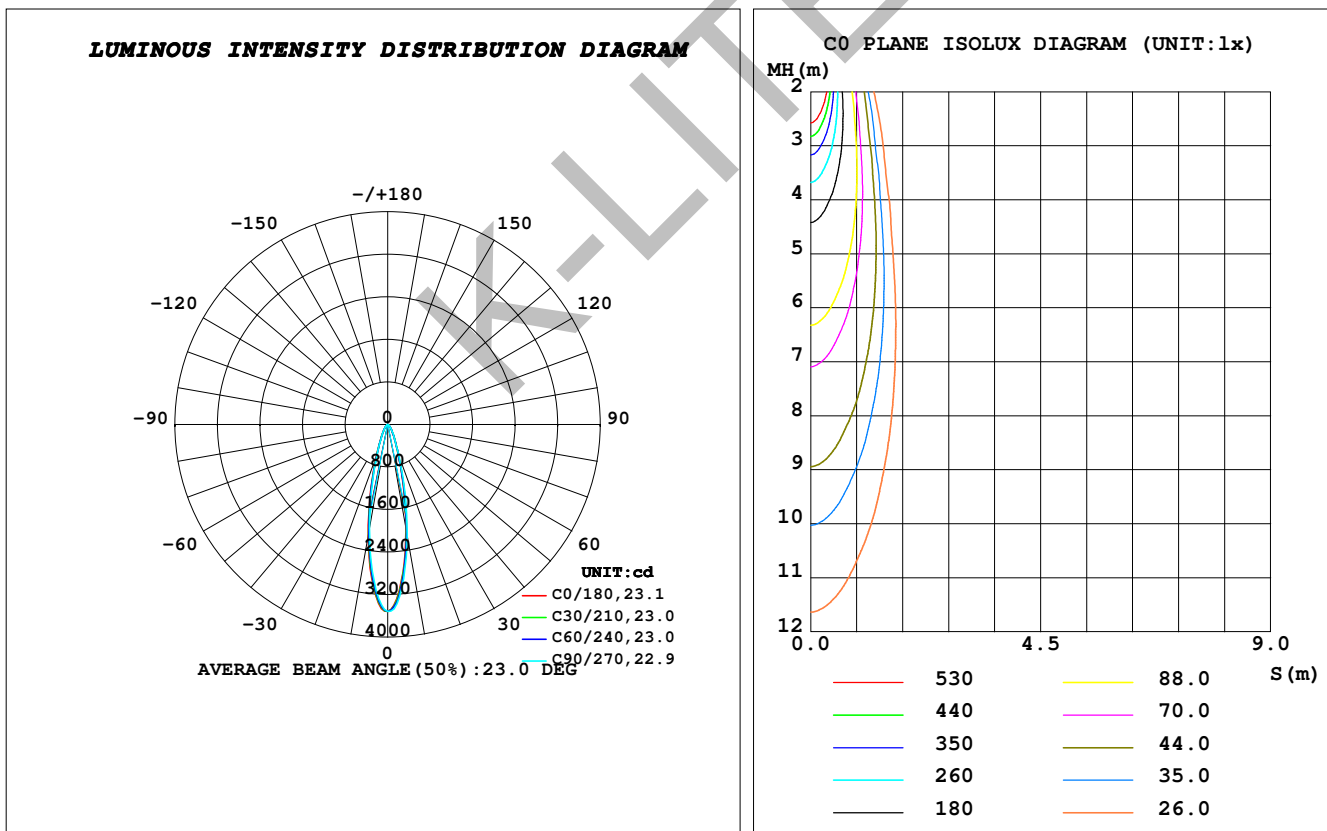
Light Output Ratio:	100.0%	
Luminaire Power:	12.67 W	
SHR Nominal:	0.00	Calculated using the TM5
SHR Maximum:	1.00	fine grid method.

C Range: 0 - 360DEG**C Interval: 10.0DEG****Test Speed: HIGH****Temperature: 25.3DEG****Operators: AKRAM BASHA.H/BALAMURUGAN.****Test Date: 06 June 2020****γ Range: 0 - 90DEG****γ Interval: 1.0DEG****Test System: EVERFINE GO-R5000_V2 SYSTEM V2.00.417****Humidity: 65.0%****Test Distance: 1.825m [K=1.0000]****Remarks:**

LUMINAIRE PHOTOMETRIC TEST REPORT

Test:U:230.44V I:0.0560A P:12.672W PF:0.9813 Freq:49.99Hz Lamp Flux:884.079x1 lm		
NAME: NEBULA MIDI - SPIKE	TYPE:LANDSCAPE LUMINAIRES	WEIGHT:0.38Kg
SPEC.:WW, CITIZEN 1202	DIM.: 132 x 71 x 468	SERIAL No.:1374
MFR.: K-LITE	SUR.:	Shielding Angle:

DATA OF LAMP		PHOTOMETRIC DATA			
MODEL	KL-4267	Imax (cd)	3524	S/MH (C0/180)	0.40
NOMINAL POWER (W)	12	LOR (%)	100.0	S/MH (C90/270)	0.38
RATED VOLTAGE (V)	230	TOTAL FLUX (lm)	884.08	η UP, DN (C0-180)	0.0, 50.9
NOMINAL FLUX (lm)	884.079	CIE CLASS	DIRECT	η UP, DN (C180-360)	0.0, 49.1
LAMPS INSIDE	1	η up (%)	0.0	CIBSE SHR NOM	0.00
TEST VOLTAGE (V)	230	η down (%)	100.0	CIBSE SHR MAX	1.00



C Range: 0 - 360DEG
 C Interval: 10.0DEG
 Test Speed: HIGH
 Temperature: 25.3DEG
 Operators: AKRAM BASHA.H/BALAMURUGAN.
 Test Date: 06 June 2020

γ Range: 0 - 90DEG
 γ Interval: 1.0DEG
 Test System: EVERFINE GO-R5000_V2 SYSTEM V2.00.417
 Humidity: 65.0%
 Test Distance: 1.825m [K=1.0000]
 Remarks:

ZONAL FLUX DIAGRAM

ZONAL FLUX DIAGRAM:

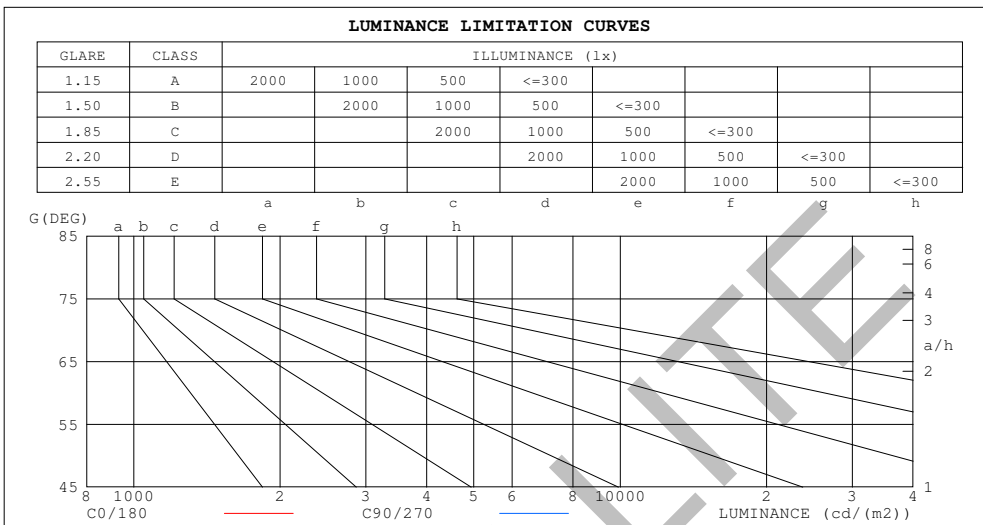
γ	C0	C45	C90	C135	C180	C225	C270	C315	γ	Φ zone	Φ total	%lum, lamp
10	1995	2041	2113	2160	2128	2075	1978	1950	0- 10	256.8	256.8	29,29
20	577.2	584.9	602.9	627.7	616.1	599.3	573.8	558.3	10- 20	321.8	578.6	65.4,65.4
30	197.9	203.1	205.5	205.5	201.2	197.7	192.2	194.4	20- 30	155.9	734.5	83.1,83.1
40	84.79	86.37	88.22	87.97	86.25	83.99	82.56	83.43	30- 40	83.03	817.5	92.5,92.5
50	34.10	34.92	35.93	35.83	35.18	34.25	33.28	33.67	40- 50	43.29	860.8	97.4,97.4
60	5.979	5.885	5.673	6.772	5.952	6.278	5.667	5.741	50- 60	17.06	877.8	99.3,99.3
70	1.969	2.067	2.223	2.593	2.407	2.153	2.194	1.900	60- 70	3.832	881.7	99.7,99.7
80	1.058	1.130	1.221	1.330	1.215	1.292	1.238	1.115	70- 80	1.765	883.4	99.9,99.9
90	0	0	0	0	0	0	0	0	80- 90	0.6395	884.1	100,100
100									90-100			
110									100-110			
120									110-120			
130									120-130			
140									130-140			
150									140-150			
160									150-160			
170									160-170			
180									170-180			
DEG	LUMINOUS INTENSITY: cd									UNIT: lm		

C Range: 0 - 360DEG
C Interval: 10.0DEG
Test Speed: HIGH
Temperature: 25.3DEG
Operators: AKRAM BASHA.H/BALAMURUGAN
Test Date: 06 June 2020

γ Range: 0 - 90DEG
 γ Interval: 1.0DEG
Test System: EVERFINE GO-R5000_V2 SYSTEM V2.00.417
Humidity: 65.0%
Test Distance: 1.825m [K=1.0000]
Remarks:

LUMINANCE LIMITATION CURVES

Test:U:230.44V I:0.0560A P:12.672W PF:0.9813 Freq:49.99Hz Lamp Flux:884.079x1 lm		
NAME: NEBULA MIDI - SPIKE	TYPE:LANDSCAPE LUMINAIRES	WEIGHT:0.38Kg
SPEC.:WW, CITIZEN 1202	DIM.: 132 x 71 x 468	SERIAL No.:1374
MFR.: K-LITE	SUR.:	Shielding Angle:



LUMINANCE cd/(m2)		
G (DEG)	C0/180	C90/270
85	58	79
80	61	70
75	62	66
70	58	65
65	85	88
60	120	113
55	333	363
50	532	559
45	779	806

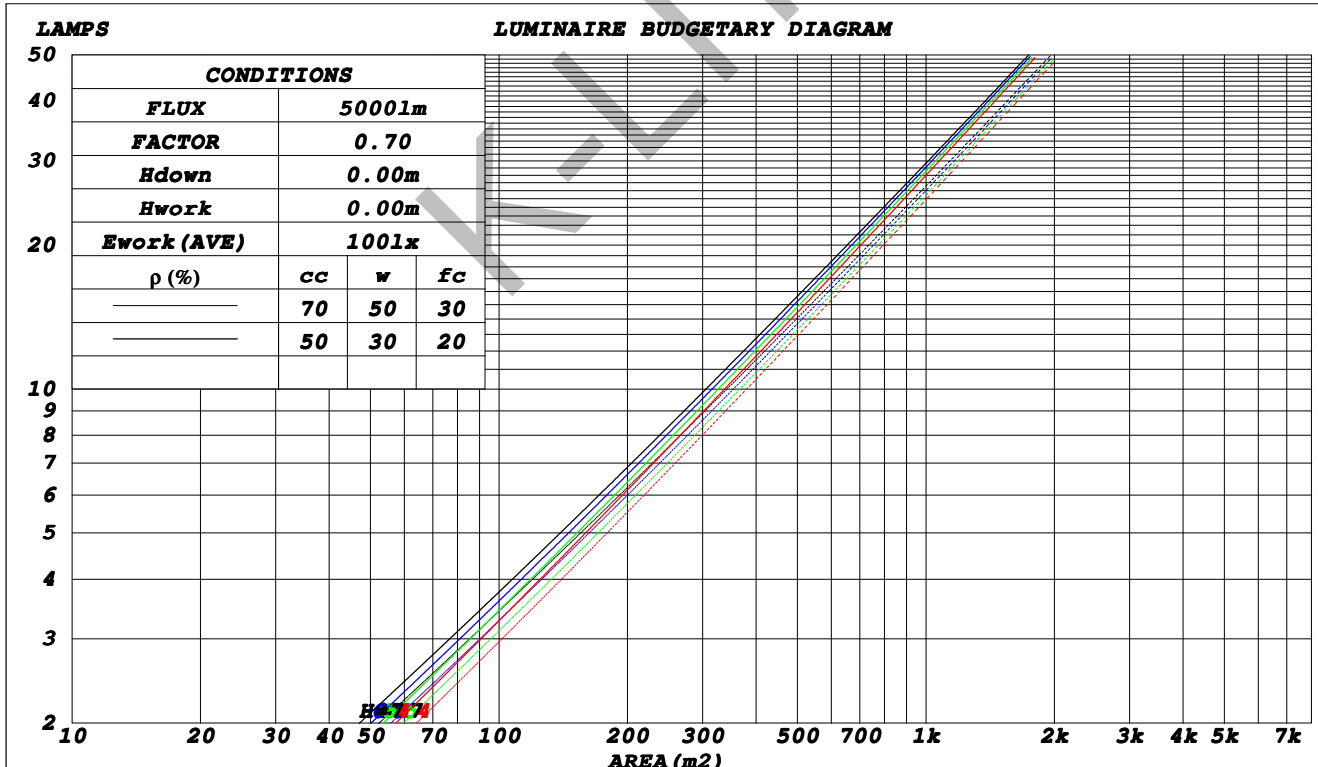
C Range: 0 - 360DEG
C Interval: 10.0DEG
Test Speed: HIGH
Temperature: 25.3DEG
Operators: AKRAM BASHA.H/BALAMURUGAN
Test Date: 06 June 2020

γ Range: 0 - 90DEG
γ Interval: 1.0DEG
Test System: EVERFINE GO-R5000_V2 SYSTEM V2.00.417
Humidity: 65.0%
Test Distance: 1.825m [K=1.0000]
Remarks:

CU AND LUMINAIRE BUDGETARY ESTIMATE DIAGRAM

Test:U:230.44V I:0.0560A P:12.672W PF:0.9813 Freq:49.99Hz Lamp Flux:884.079x1 lm		
NAME: NEBULA MIDI - SPIKE	TYPE:LANDSCAPE LUMINAIRES	WEIGHT:0.38Kg
SPEC.:WW, CITIZEN 1202	DIM.: 132 x 71 x 468	SERIAL No.:1374
MFR.: K-LITE	SUR.:	Shielding Angle:

ρ_{cc}	80%			70%			50%			30%			10%			0	
ρ_w	50%	30%	10%	50%	30%	10%	50%	30%	10%	50%	30%	10%	50%	30%	10%	0	
ρ_{fc}	20%			20%			20%			20%			20%			0	
RCR	RCR:Room Cavity Ratio						Coefficients of Utilization(CU)										
0.0	1.19	1.19	1.19	1.16	1.16	1.16	1.11	1.11	1.11	1.06	1.06	1.06	1.02	1.02	1.02	.00	
1.0	1.12	1.10	1.08	1.10	1.08	1.06	1.06	1.04	1.03	1.02	1.01	.00	.99	.98	.97	.95	
2.0	1.06	1.02	.99	1.04	1.01	.98	1.01	.98	.96	.98	.96	.94	.95	.94	.92	.91	
3.0	1.00	.96	.92	.99	.95	.92	.96	.93	.90	.94	.91	.89	.92	.89	.88	.86	
4.0	.95	.90	.87	.94	.90	.86	.92	.88	.85	.90	.87	.84	.88	.86	.84	.82	
5.0	.91	.86	.82	.90	.85	.82	.88	.84	.81	.87	.83	.81	.85	.82	.80	.79	
6.0	.87	.82	.78	.86	.81	.78	.85	.81	.78	.83	.80	.77	.82	.79	.77	.75	
7.0	.83	.78	.75	.83	.78	.75	.81	.77	.74	.80	.77	.74	.79	.76	.74	.72	
8.0	.80	.75	.72	.79	.75	.72	.78	.74	.71	.78	.74	.71	.77	.73	.71	.70	
9.0	.77	.72	.69	.77	.72	.69	.76	.72	.69	.75	.71	.69	.74	.71	.68	.67	
10.0	.74	.70	.67	.74	.70	.66	.73	.69	.66	.73	.69	.66	.72	.68	.66	.65	



C Range: 0 - 360DEG

C Interval: 10.0DEG

Test Speed: HIGH

Temperature:25.3DEG

Operators:AKRAM BASHA.H/BALAMURUGAN.

Test Date:06 June 2020

γ Range: 0 - 90DEG

γ Interval: 1.0DEG

Test System:EVERFINE GO-R5000_V2 SYSTEM V2.00.417

Humidity:65.0%

Test Distance:1.825m [K=1.0000]

Remarks:

WEC AND CCEC

Test:U:230.44V I:0.0560A P:12.672W PF:0.9813 Freq:49.99Hz Lamp Flux:884.079x1 lm		
NAME: NEBULA MIDI - SPIKE	TYPE:LANDSCAPE LUMINAIRES	WEIGHT:0.38Kg
SPEC.:WW, CITIZEN 1202	DIM.: 132 x 71 x 468	SERIAL No.:1374
MFR.: K-LITE	SUR.:	Shielding Angle:

ρ_{cc}	80%			70%			50%			30%			10%			0
ρ_w	50%	30%	10%	50%	30%	10%	50%	30%	10%	50%	30%	10%	50%	30%	10%	0
ρ_{fc}	20%			20%			20%			20%			20%			0
RCR	RCR:Room Cavity Ratio						Wall Exitance Coefficients (WEC)									
0.0																
1.0	.155	.088	.028	.149	.085	.027	.136	.078	.025	.125	.072	.023	.114	.066	.021	
2.0	.146	.080	.025	.141	.078	.024	.130	.072	.023	.121	.068	.021	.112	.063	.020	
3.0	.138	.073	.022	.133	.071	.021	.124	.067	.020	.116	.064	.020	.109	.060	.019	
4.0	.130	.067	.020	.126	.066	.019	.118	.063	.019	.111	.060	.018	.105	.057	.017	
5.0	.123	.062	.018	.119	.061	.018	.113	.059	.017	.107	.056	.017	.101	.054	.016	
6.0	.116	.058	.017	.113	.057	.016	.108	.055	.016	.102	.053	.016	.098	.051	.015	
7.0	.110	.055	.015	.108	.054	.015	.103	.052	.015	.098	.050	.015	.094	.049	.014	
8.0	.105	.051	.014	.103	.051	.014	.099	.049	.014	.095	.048	.014	.091	.047	.014	
9.0	.100	.049	.014	.098	.048	.013	.095	.047	.013	.091	.046	.013	.088	.044	.013	
10.0	.096	.046	.013	.094	.045	.013	.091	.044	.013	.088	.043	.012	.085	.043	.012	

ρ_{cc}	80%			70%			50%			30%			10%			0
ρ_w	50%	30%	10%	50%	30%	10%	50%	30%	10%	50%	30%	10%	50%	30%	10%	0
ρ_{fc}	20%			20%			20%			20%			20%			0
RCR	RCR:Room Cavity Ratio						Ceiling Cavity Exitance Coefficients (CCEC)									
0.0	.190	.190	.190	.163	.163	.163	.111	.111	.111	.064	.064	.064	.020	.020	.020	
1.0	.170	.158	.147	.145	.135	.126	.099	.093	.087	.057	.054	.051	.018	.017	.016	
2.0	.153	.133	.116	.131	.114	.100	.090	.079	.070	.052	.046	.041	.017	.015	.013	
3.0	.139	.113	.093	.119	.098	.081	.082	.068	.057	.047	.040	.033	.015	.013	.011	
4.0	.127	.098	.076	.109	.085	.066	.075	.059	.047	.043	.035	.028	.014	.011	.009	
5.0	.118	.086	.063	.101	.075	.055	.070	.052	.039	.040	.031	.023	.013	.010	.008	
6.0	.109	.077	.053	.094	.066	.046	.065	.046	.033	.038	.027	.019	.012	.009	.006	
7.0	.102	.069	.045	.088	.060	.039	.061	.042	.028	.035	.025	.017	.011	.008	.006	
8.0	.096	.062	.039	.082	.054	.034	.057	.038	.024	.033	.022	.014	.011	.007	.005	
9.0	.090	.057	.034	.078	.049	.030	.054	.035	.021	.031	.020	.013	.010	.007	.004	
10.0	.085	.052	.030	.074	.045	.026	.051	.032	.018	.030	.019	.011	.010	.006	.004	

C Range: 0 - 360DEG

C Interval: 10.0DEG

Test Speed: HIGH

Temperature:25.3DEG

Operators:AKRAM BASHA.H/BALAMURUGAN.

Test Date:06 June 2020

γ Range: 0 - 90DEG

γ Interval: 1.0DEG

Test System:EVERFINE GO-R5000_V2 SYSTEM V2.00.417

Humidity:65.0%

Test Distance:1.825m [K=1.0000]

Remarks:

UGR(Unified Glare Rating) Table

Test:U:230.44V I:0.0560A P:12.672W PF:0.9813 Freq:49.99Hz Lamp Flux:884.079x1 lm		
NAME: NEBULA MIDI - SPIKE	TYPE:LANDSCAPE LUMINAIRES	WEIGHT:0.38Kg
SPEC.:WW, CITIZEN 1202	DIM.: 132 x 71 x 468	SERIAL No.:1374
MFR.: K-LITE	SUR.:	Shielding Angle:

ceiling/cavity	0.7	0.7	0.5	0.5	0.3	0.7	0.7	0.5	0.5	0.3
walls	0.5	0.3	0.5	0.3	0.3	0.5	0.3	0.5	0.3	0.3
working plane	0.2	0.2	0.2	0.2	0.2	0.2	0.2	0.2	0.2	0.2
Room dimensions	Viewed crosswise					Viewed endwise				
x = 2H y = 2H	4.7	5.4	4.9	5.6	5.7	4.9	5.7	5.1	5.8	6.0
3H	4.5	5.3	4.8	5.4	5.6	4.8	5.5	5.1	5.7	5.9
4H	4.5	5.2	4.7	5.4	5.6	4.8	5.4	5.0	5.7	5.9
6H	4.4	5.1	4.7	5.3	5.5	4.7	5.4	5.0	5.6	5.8
8H	4.4	5.0	4.7	5.3	5.5	4.7	5.3	5.0	5.5	5.8
12H	4.4	5.0	4.7	5.2	5.5	4.7	5.2	5.0	5.5	5.8
4H 2H	4.5	5.2	4.8	5.4	5.6	4.7	5.4	5.0	5.6	5.9
3H	4.4	5.0	4.7	5.3	5.5	4.7	5.3	5.0	5.5	5.8
4H	4.3	4.9	4.7	5.2	5.5	4.6	5.1	4.9	5.4	5.7
6H	4.3	4.8	4.7	5.1	5.4	4.6	5.0	4.9	5.4	5.7
8H	4.3	4.7	4.7	5.1	5.4	4.5	5.0	4.9	5.3	5.7
12H	4.2	4.6	4.6	5.0	5.4	4.5	4.9	4.9	5.3	5.7
8H 4H	4.2	4.7	4.6	5.0	5.4	4.5	4.9	4.9	5.3	5.6
6H	4.2	4.6	4.6	4.9	5.4	4.4	4.8	4.9	5.2	5.6
8H	4.2	4.5	4.6	4.9	5.3	4.4	4.8	4.9	5.2	5.6
12H	4.1	4.4	4.6	4.9	5.3	4.4	4.7	4.9	5.1	5.6
12H 4H	4.2	4.6	4.6	5.0	5.3	4.4	4.8	4.8	5.2	5.6
6H	4.1	4.5	4.6	4.9	5.3	4.4	4.7	4.8	5.1	5.6
8H	4.1	4.4	4.6	4.8	5.3	4.4	4.7	4.9	5.1	5.6
Variations with the observer position at spacings:										
S = 1.0H	+ 2.1 / - 5.5					+ 2.0 / - 4.5				
1.5H	+ 2.7 / - 3.4					+ 2.6 / - 2.8				
2.0H	+ 4.4 / - 6.1					+ 4.1 / - 6.2				

CIE Pub.117, 884.1 lm Total Lamp Luminous Flux Corrected (8log(F/F0) = -0.4)
 Area: 0.1 m2

C Range: 0 - 360DEG **γ Range: 0 - 90DEG**
C Interval: 10.0DEG **γ Interval: 1.0DEG**
Test Speed: HIGH **Test System:EVERFINE GO-R5000_V2 SYSTEM V2.00.417**
Temperature:25.3DEG **Humidity:65.0%**
Operators:AKRAM BASHA.H/BALAMURUGAN **Test Distance:1.825m [K=1.0000]**
Test Date:06 June 2020 **Remarks:**

UTILIZATION FACTORS TABLE

Test:U:230.44V I:0.0560A P:12.672W PF:0.9813 Freq:49.99Hz Lamp Flux:884.079x1 Lm		
NAME: NEBULA MIDI - SPIKE	TYPE:LANDSCAPE LUMINAIRES	WEIGHT:0.38Kg
SPEC.:WW, CITIZEN 1202	DIM.: 132 x 71 x 468	SERIAL No.:1374
MFR.: K-LITE	SUR.:	Shielding Angle:

REFLECTANCE										
Ceiling	0.8	0.8	0.8	0.7	0.7	0.7	0.5	0.5	0.5	0
Walls	0.7	0.5	0.3	0.7	0.5	0.3	0.7	0.5	0.3	0
Working plane	0.2	0.2	0.2	0.2	0.2	0.2	0.2	0.2	0.2	0
ROOM INDEX	UTILIZATION FACTORS (PERCENT) $k(RI) \times RCR = 5$									
$k = 0.60$	87	80	76	86	80	76	85	80	76	73
0.80	94	88	85	94	88	84	92	87	84	80
1.00	99	93	90	98	93	89	96	93	89	85
1.25	103	98	94	102	97	94	100	96	93	89
1.50	106	101	98	105	100	97	102	99	96	92
2.00	108	104	101	107	103	100	104	101	99	94
2.50	110	106	103	109	105	102	105	103	101	95
3.00	112	108	106	110	107	104	107	104	102	96
4.00	114	111	109	112	109	107	108	106	105	98
5.00	115	113	111	113	111	109	109	107	106	99
ROOM INDEX	UF(total)									Direct
According to DIN EN 13032-2 2004			Suspended				SHRNOM = 1.25			

C Range: 0 - 360DEG

C Interval: 10.0DEG

Test Speed: HIGH

Temperature: 25.3DEG

Operators: AKRAM BASHA.H/BALAMURUGAN.

Test Date: 06 June 2020

γ Range: 0 - 90DEG

γ Interval: 1.0DEG

Test System: EVERFINE GO-R5000_V2 SYSTEM V2.00.417

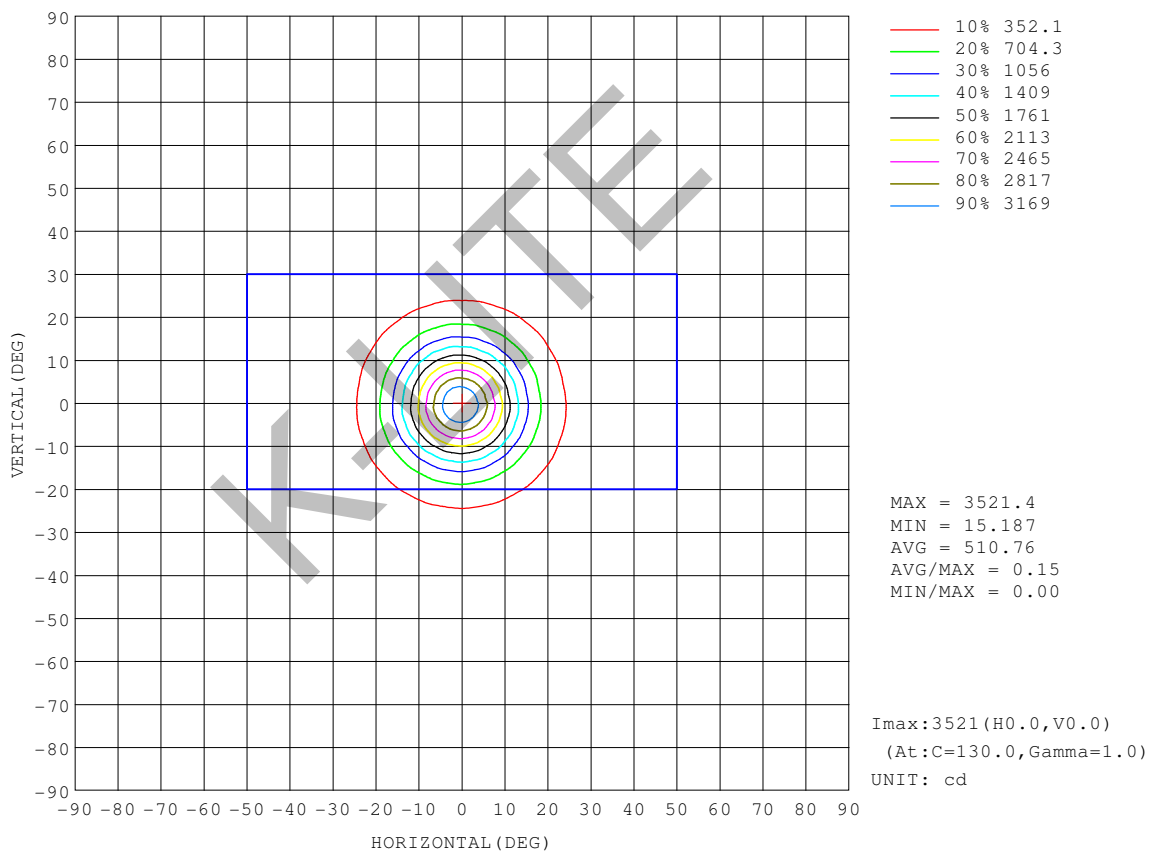
Humidity: 65.0%

Test Distance: 1.825m [K=1.0000]

Remarks:

ISOCANDELA DIAGRAM

Test:U:230.44V I:0.0560A P:12.672W PF:0.9813 Freq:49.99Hz Lamp Flux:884.079x1 lm		
NAME: NEBULA MIDI - SPIKE	TYPE:LANDSCAPE LUMINAIRES	WEIGHT:0.38Kg
SPEC.:WW, CITIZEN 1202	DIM.: 132 x 71 x 468	SERIAL No.:1374
MFR.: K-LITE	SUR.:	Shielding Angle:



C Range: 0 - 360DEG

C Interval: 10.0DEG

Test Speed: HIGH

Temperature:25.3DEG

Operators:AKRAM BASHA.H/BALAMURUGAN. STest Distance:1.825m [K=1.0000]

Test Date:06 June 2020

γ Range: 0 - 90DEG

γ Interval: 1.0DEG

Test System:EVERFINE GO-R5000_V2 SYSTEM V2.00.417

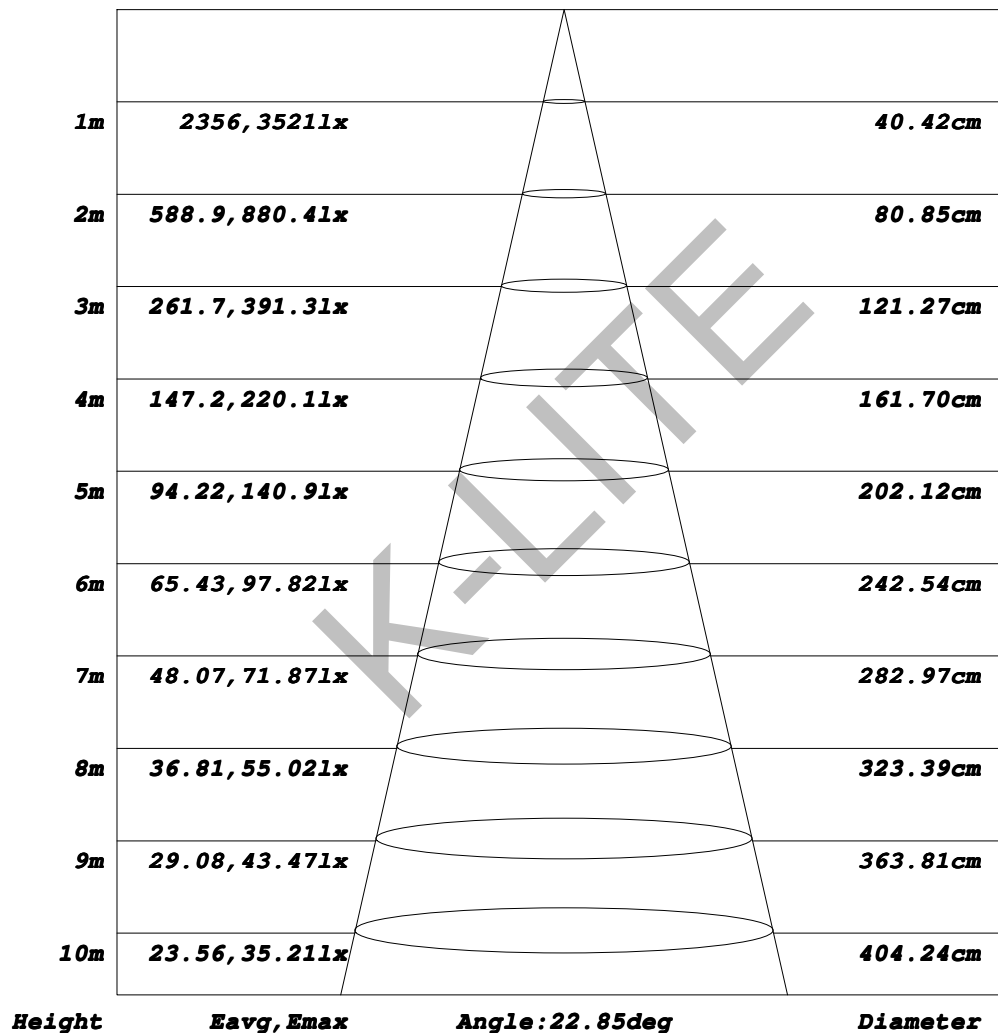
Humidity:65.0%

Remarks:

AAI Figure

Test:U:230.44V I:0.0560A P:12.672W PF:0.9813 Freq:49.99Hz Lamp Flux:884.079x1 lm		
NAME: NEBULA MIDI - SPIKE	TYPE:LANDSCAPE LUMINAIRES	WEIGHT:0.38Kg
SPEC.:WW, CITIZEN 1202	DIM.: 132 x 71 x 468	SERIAL No.:1374
MFR.: K-LITE	SUR.:	Shielding Angle:

Flux out:334.3 lm



Note:The Curves indicate the illuminated area and the average illumination when the luminaire is at different distance.

C Range: 0 - 360DEG

C Interval: 10.0DEG

Test Speed: HIGH

Temperature:25.3DEG

Operators:AKRAM BASHA.H/BALAMURUGAN.

Test Date:06 June 2020

γ Range: 0 - 90DEG

γ Interval: 1.0DEG

Test System:EVERFINE GO-R5000_V2 SYSTEM V2.00.417

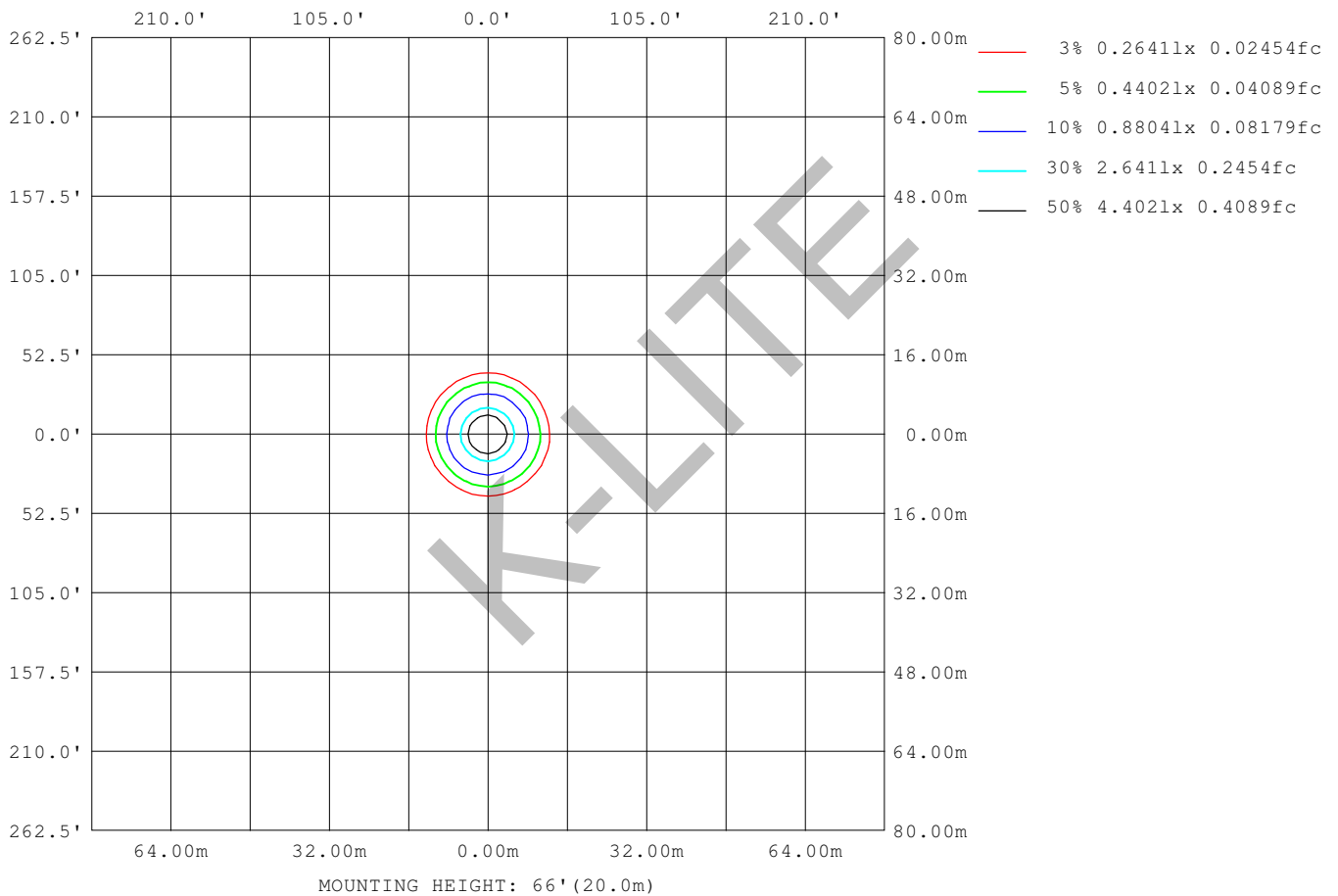
Humidity:65.0%

Test Distance:1.825m [K=1.0000]

Remarks:

ISOLUX DIAGRAM

Test:U:230.44V I:0.0560A P:12.672W PF:0.9813 Freq:49.99Hz Lamp Flux:884.079x1 lm		
NAME: NEBULA MIDI - SPIKE	TYPE:LANDSCAPE LUMINAIRES	WEIGHT:0.38Kg
SPEC.:WW, CITIZEN 1202	DIM.: 132 x 71 x 468	SERIAL No.:1374
MFR.: K-LITE	SUR.:	Shielding Angle:



C Range: 0 - 360DEG
C Interval: 10.0DEG
Test Speed: HIGH
Temperature:25.3DEG
Operators:AKRAM BASHA.H/BALAMURUGAN
Test Date:06 June 2020

γ Range: 0 - 90DEG
γ Interval: 1.0DEG
Test System:EVERFINE GO-R5000_V2 SYSTEM V2.00.417
Humidity:65.0%
Test Distance:1.825m [K=1.0000]
Remarks:

LED Avg.L Report

Test:U:230.44V I:0.0560A P:12.672W PF:0.9813 Freq:49.99Hz Lamp Flux:884.079x1 Lm		
NAME: NEBULA MIDI - SPIKE	TYPE:LANDSCAPE LUMINAIRES	WEIGHT:0.38Kg
SPEC.:WW, CITIZEN 1202	DIM.: 132 x 71 x 468	SERIAL No.:1374
MFR.: K-LITE	SUR.:	Shielding Angle:

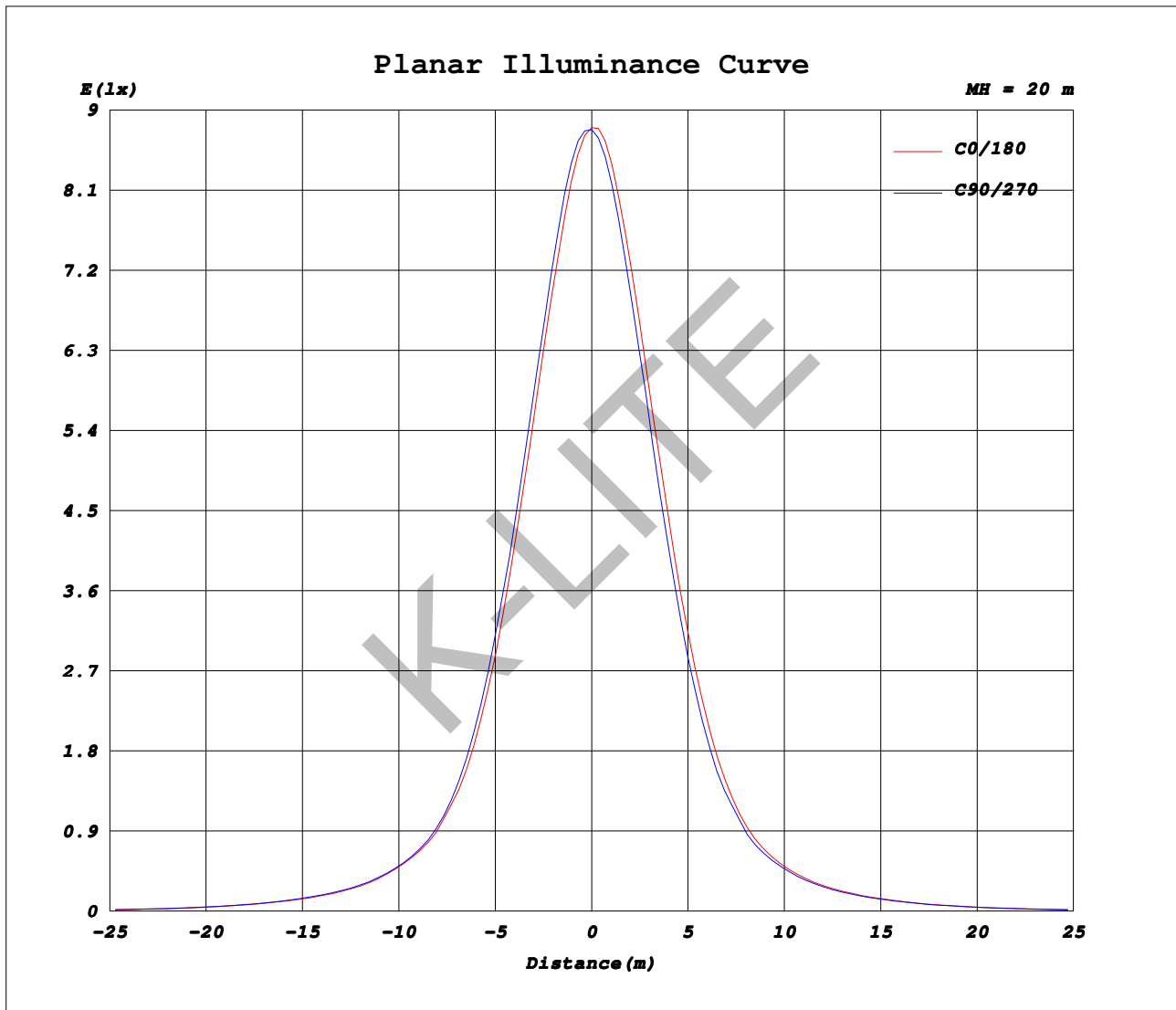
AvgL	cd/m2
L_0~180 (65) av	88
L_0~180 (75) av	64
L_0~180 (85) av	69
L_90~270 (65) av	90
L_90~270 (75) av	67
L_90~270 (85) av	81
L_45 (65) av	95
L_45 (75) av	66
L_45 (85) av	82

Standard: GB/T 29293-2012

C Range: 0 - 360DEG
C Interval: 10.0DEG
Test Speed: HIGH
Temperature:25.3DEG
Operators:AKRAM BASHA.H/BALAMURUGAN
Test Date:06 June 2020

γ Range: 0 - 90DEG
γ Interval: 1.0DEG
Test System:EVERFINE GO-R5000_V2 SYSTEM V2.00.417
Humidity:65.0%
Test Distance:1.825m [K=1.0000]
Remarks:

Planar Illuminance Curve



C Range: 0 - 360DEG

C Interval: 10.0DEG

Test Speed: HIGH

Temperature: 25.3DEG

Operators: AKRAM BASHA.H/BALAMURUGAN

Test Date: 06 June 2020

γ Range: 0 - 90DEG

γ Interval: 1.0DEG

Test System: EVERFINE GO-R5000_V2 SYSTEM V2.00.417

Humidity: 65.0%

Test Distance: 1.825m [K=1.0000]

Remarks:

LUMINOUS DISTRIBUTION INTENSITY DATA

Test:U:230.44V I:0.0560A P:12.672W PF:0.9813 Freq:49.99Hz Lamp Flux:884.079x1 lm		
NAME: NEBULA MIDI - SPIKE	TYPE:LANDSCAPE LUMINAIRES	WEIGHT:0.38Kg
SPEC.:WW, CITIZEN 1202	DIM.: 132 x 71 x 468	SERIAL No.:1374
MFR.: K-LITE	SUR.:	Shielding Angle:

Table--1

UNIT: cd

C (DEG) γ (DEG)	0	10	20	30	40	50	60	70	80	90	100	110	120	130	140	150	160	170	180
0	3514	3514	3514	3514	3514	3514	3514	3514	3514	3514	3514	3514	3514	3514	3514	3514	3514	3514	3514
5	2964	2974	2970	2994	2997	3026	3031	3057	3059	3085	3084	3112	3104	3124	3112	3127	3113	3122	3076
10	1995	2009	2005	2027	2027	2054	2053	2080	2085	2113	2107	2129	2126	2160	2159	2173	2163	2177	2128
15	1113	1128	1118	1141	1129	1157	1147	1177	1172	1198	1187	1213	1203	1245	1226	1263	1238	1267	1215
20	577	573	577	577	583	587	592	596	600	603	608	612	618	626	630	635	622	638	616
25	325	330	327	333	329	332	326	332	328	333	330	337	332	338	333	338	333	339	331
30	198	202	201	204	201	205	201	204	203	205	204	208	205	207	204	206	202	205	201
35	129	131	130	132	131	133	131	133	132	134	132	134	132	134	132	134	131	133	130
40	84.8	84.8	84.9	86.6	85.5	87.2	86.6	88.5	87.4	88.2	85.8	87.7	86.5	88.4	87.5	89.0	87.8	88.9	86.3
45	55.0	54.1	54.2	55.2	55.5	56.5	56.8	57.0	57.1	57.0	55.4	56.2	55.9	57.2	57.4	57.6	57.1	56.9	55.2
50	34.1	33.2	32.6	33.4	34.1	35.8	36.0	36.8	36.2	35.9	34.3	34.1	34.0	35.5	36.1	36.8	36.3	36.4	35.2
55	19.0	18.2	17.4	17.9	18.6	20.3	20.7	21.3	21.0	20.8	19.3	18.9	19.1	20.5	21.0	21.6	21.2	21.5	20.2
60	5.98	5.00	4.95	5.32	6.26	5.51	5.96	5.66	6.16	5.67	6.08	5.72	6.32	6.32	7.22	6.63	7.33	6.57	5.95
65	3.59	3.13	3.40	3.76	3.79	3.81	3.78	3.85	3.87	3.71	3.69	3.59	3.91	4.08	4.16	4.24	4.28	4.21	3.86
70	1.97	2.07	2.06	2.07	2.06	2.07	2.07	2.09	2.14	2.22	2.22	2.31	2.42	2.56	2.63	2.72	2.61	2.56	2.41
75	1.59	1.63	1.65	1.67	1.66	1.67	1.65	1.67	1.69	1.72	1.80	1.74	1.73	1.76	1.77	1.77	1.75	1.73	1.70
80	1.06	1.08	1.11	1.12	1.12	1.14	1.13	1.16	1.18	1.22	1.26	1.27	1.29	1.33	1.33	1.33	1.31	1.27	1.21
85	0.51	0.52	0.55	0.57	0.58	0.60	0.60	0.62	0.64	0.68	0.72	0.75	0.79	0.82	0.83	0.82	0.80	0.76	0.69
90	0.00	0.00	0.00	0.00	0.00	0.00	0.00	0.00	0.00	0.00	0.00	0.00	0.00	0.00	0.00	0.00	0.00	0.00	0.00

C Range: 0 - 360DEG
C Interval: 10.0DEG
Test Speed: HIGH
Temperature:25.3DEG
Operators:AKRAM BASHA.H/BALAMURUGAN.
Test Date:06 June 2020

γ Range: 0 - 90DEG
γ Interval: 1.0DEG
Test System:EVERFINE GO-R5000_V2 SYSTEM V2.00.417
Humidity:65.0%
Test Distance:1.825m [K=1.0000]
Remarks:

LUMINOUS DISTRIBUTION INTENSITY DATA

Test:U:230.44V I:0.0560A P:12.672W PF:0.9813 Freq:49.99Hz Lamp Flux:884.079x1 lm		
NAME: NEBULA MIDI - SPIKE	TYPE:LANDSCAPE LUMINAIRES	WEIGHT:0.38Kg
SPEC.:WW, CITIZEN 1202	DIM.: 132 x 71 x 468	SERIAL No.:1374
MFR.: K-LITE	SUR.:	Shielding Angle:

Table--2

UNIT: cd

C (DEG) γ (DEG)	190	200	210	220	230	240	250	260	270	280	290	300	310	320	330	340	350		
0	3514	3514	3514	3514	3514	3514	3514	3514	3514	3514	3514	3514	3514	3514	3514	3514	3514		
5	3061	3061	3044	3047	3024	3026	2995	2990	2960	2961	2941	2949	2934	2944	2930	2942	2931		
10	2112	2110	2090	2091	2058	2056	2022	2015	1978	1976	1950	1961	1945	1955	1941	1958	1950		
15	1194	1207	1180	1188	1158	1165	1134	1136	1108	1112	1087	1099	1081	1098	1081	1100	1083		
20	617	609	607	601	598	591	574	578	574	563	554	560	558	559	554	561	554		
25	327	331	324	326	318	321	314	317	311	316	311	317	312	317	313	320	316		
30	199	202	198	200	195	196	193	195	192	195	192	196	193	196	193	196	194		
35	129	130	128	130	127	128	127	127	126	127	125	127	126	128	126	128	126		
40	84.4	85.6	83.9	84.6	83.4	85.0	83.9	84.4	82.6	82.2	81.5	82.9	82.5	84.4	83.7	84.9	83.5		
45	53.6	54.8	53.5	54.2	53.8	54.7	54.0	54.2	53.5	52.0	51.1	52.1	52.9	54.8	54.8	54.9	54.3		
50	33.6	33.7	33.1	34.1	34.4	35.0	34.6	34.8	33.3	31.9	30.2	31.3	32.9	34.5	34.6	35.1	34.4		
55	18.8	18.8	18.4	19.4	19.6	20.2	19.8	20.0	18.7	17.4	15.7	16.9	18.2	19.6	19.4	19.8	19.2		
60	6.19	5.80	6.26	6.12	6.44	6.02	6.27	5.72	5.67	5.16	5.04	5.30	6.17	5.31	6.12	5.27	6.03		
65	3.70	3.78	4.20	4.21	4.26	4.28	4.27	4.19	3.87	3.55	3.47	3.81	3.79	3.93	3.94	3.86	3.85		
70	2.13	2.13	2.09	2.16	2.15	2.11	2.10	2.09	2.19	2.15	2.07	1.97	1.92	1.88	1.87	1.90	1.95		
75	1.69	1.68	1.70	1.78	1.77	1.74	1.74	1.73	1.73	1.76	1.68	1.63	1.60	1.56	1.54	1.57	1.60		
80	1.19	1.19	1.22	1.31	1.28	1.24	1.23	1.24	1.24	1.24	1.18	1.15	1.13	1.10	1.06	1.07	1.07		
85	0.66	0.67	0.71	0.80	0.78	0.75	0.74	0.75	0.73	0.69	0.63	0.64	0.63	0.62	0.57	0.54	0.51		
90	0.00	0.00	0.00	0.00	0.00	0.00	0.00	0.00	0.00	0.00	0.00	0.00	0.00	0.00	0.00	0.00	0.00		

C Range: 0 - 360DEG

C Interval: 10.0DEG

Test Speed: HIGH

Temperature:25.3DEG

Operators:AKRAM BASHA.H/BALAMURUGAN.

Test Date:06 June 2020

γ Range: 0 - 90DEG

γ Interval: 1.0DEG

Test System:EVERFINE GO-R5000_V2 SYSTEM V2.00.417

Humidity:65.0%

Test Distance:1.825m [K=1.0000]

Remarks:



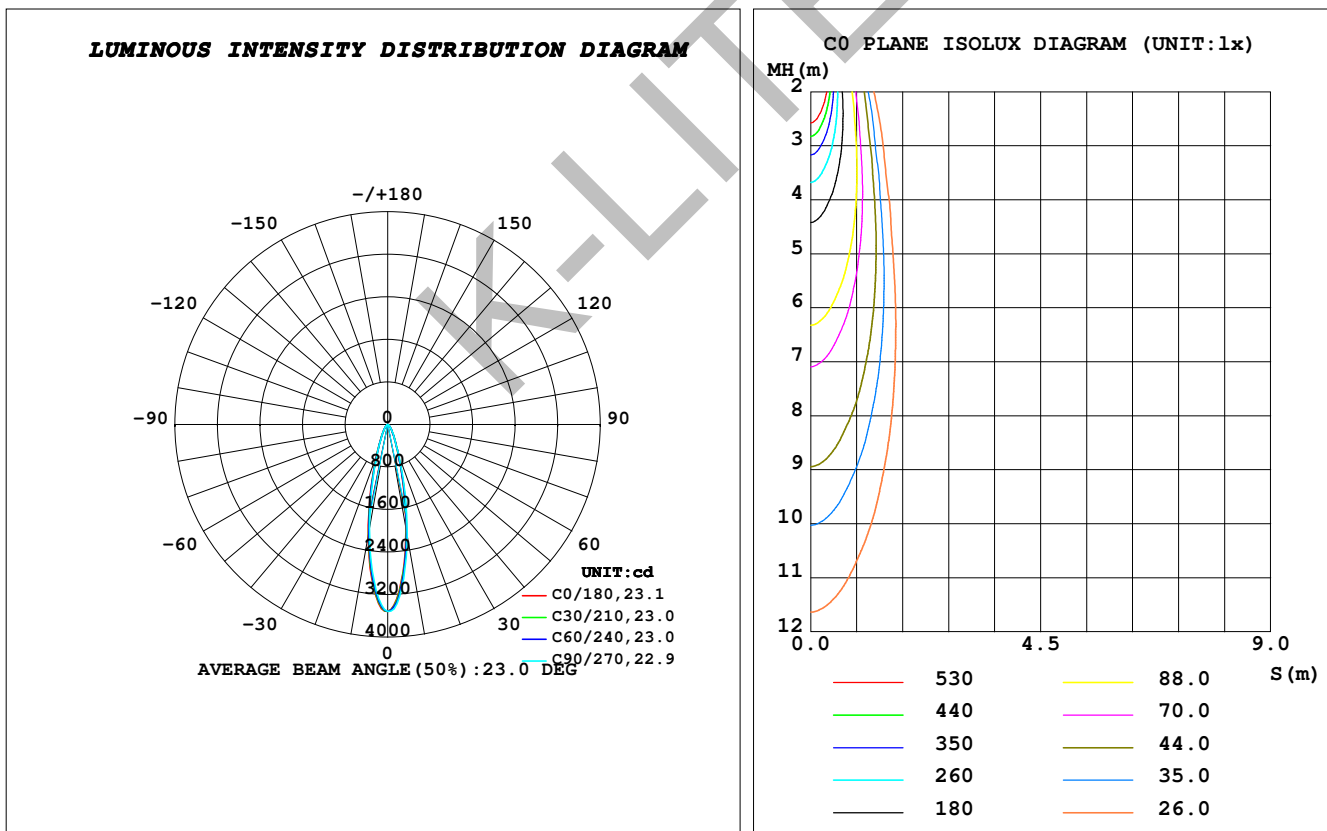
Light Output Ratio:	100.0%	
Luminaire Power:	12.67 W	
SHR Nominal:	0.00	Calculated using the TM5
SHR Maximum:	1.00	fine grid method.

C Range: 0 - 360DEG**C Interval: 10.0DEG****Test Speed: HIGH****Temperature: 25.3DEG****Operators: AKRAM BASHA.H/BALAMURUGAN.****Test Date: 06 June 2020****γ Range: 0 - 90DEG****γ Interval: 1.0DEG****Test System: EVERFINE GO-R5000_V2 SYSTEM V2.00.417****Humidity: 65.0%****Test Distance: 1.825m [K=1.0000]****Remarks:**

LUMINAIRE PHOTOMETRIC TEST REPORT

Test:U:230.44V I:0.0560A P:12.672W PF:0.9813 Freq:49.99Hz Lamp Flux:884.079x1 lm		
NAME: NEBULA MIDI - BRACKET	TYPE:LANDSCAPE LUMINAIRES	WEIGHT:
SPEC.:WW, CITIZEN 1202	DIM.: 147 x 90 x 96	SERIAL No.:1375
MFR.: K-LITE	SUR.:	Shielding Angle:

DATA OF LAMP		PHOTOMETRIC DATA			
MODEL	KL-4268	Imax (cd)	3524	S/MH (C0/180)	0.40
NOMINAL POWER (W)	12	LOR (%)	100.0	S/MH (C90/270)	0.38
RATED VOLTAGE (V)	230	TOTAL FLUX (lm)	884.08	η UP, DN (C0-180)	0.0, 50.9
NOMINAL FLUX (lm)	884.079	CIE CLASS	DIRECT	η UP, DN (C180-360)	0.0, 49.1
LAMPS INSIDE	1	η up (%)	0.0	CIBSE SHR NOM	0.00
TEST VOLTAGE (V)	230	η down (%)	100.0	CIBSE SHR MAX	1.00



C Range: 0 - 360DEG
 C Interval: 10.0DEG
 Test Speed: HIGH
 Temperature: 25.3DEG
 Operators: AKRAM BASHA.H/BALAMURUGAN.
 Test Date: 06 June 2020

γ Range: 0 - 90DEG
 γ Interval: 1.0DEG
 Test System: EVERFINE GO-R5000_V2 SYSTEM V2.00.417
 Humidity: 65.0%
 Test Distance: 1.825m [K=1.0000]
 Remarks:

ZONAL FLUX DIAGRAM

ZONAL FLUX DIAGRAM:

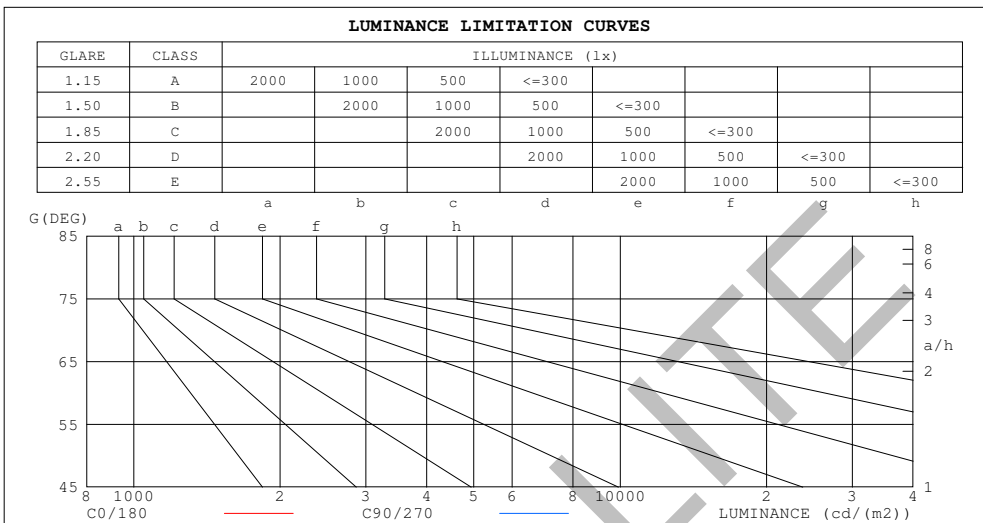
γ	C0	C45	C90	C135	C180	C225	C270	C315	γ	Φ zone	Φ total	%lum, lamp
10	1995	2041	2113	2160	2128	2075	1978	1950	0- 10	256.8	256.8	29,29
20	577.2	584.9	602.9	627.7	616.1	599.3	573.8	558.3	10- 20	321.8	578.6	65.4,65.4
30	197.9	203.1	205.5	205.5	201.2	197.7	192.2	194.4	20- 30	155.9	734.5	83.1,83.1
40	84.79	86.37	88.22	87.97	86.25	83.99	82.56	83.43	30- 40	83.03	817.5	92.5,92.5
50	34.10	34.92	35.93	35.83	35.18	34.25	33.28	33.67	40- 50	43.29	860.8	97.4,97.4
60	5.979	5.885	5.673	6.772	5.952	6.278	5.667	5.741	50- 60	17.06	877.8	99.3,99.3
70	1.969	2.067	2.223	2.593	2.407	2.153	2.194	1.900	60- 70	3.832	881.7	99.7,99.7
80	1.058	1.130	1.221	1.330	1.215	1.292	1.238	1.115	70- 80	1.765	883.4	99.9,99.9
90	0	0	0	0	0	0	0	0	80- 90	0.6395	884.1	100,100
100									90-100			
110									100-110			
120									110-120			
130									120-130			
140									130-140			
150									140-150			
160									150-160			
170									160-170			
180									170-180			
DEG	LUMINOUS INTENSITY: cd									UNIT: lm		

C Range: 0 - 360DEG
 C Interval: 10.0DEG
 Test Speed: HIGH
 Temperature: 25.3DEG
 Operators: AKRAM BASHA.H/BALAMURUGAN.
 Test Date: 06 June 2020

γ Range: 0 - 90DEG
 γ Interval: 1.0DEG
 Test System: EVERFINE GO-R5000_V2 SYSTEM V2.00.417
 Humidity: 65.0%
 Test Distance: 1.825m [K=1.0000]
 Remarks:

LUMINANCE LIMITATION CURVES

Test:U:230.44V I:0.0560A P:12.672W PF:0.9813 Freq:49.99Hz Lamp Flux:884.079x1 lm		
NAME: NEBULA MIDI - BRACKET	TYPE:LANDSCAPE LUMINAIRES	WEIGHT:
SPEC.:WW, CITIZEN 1202	DIM.: 147 x 90 x 96	SERIAL No.:1375
MFR.: K-LITE	SUR.:	Shielding Angle:



LUMINANCE cd/(m2)		
G (DEG)	C0/180	C90/270
85	58	79
80	61	70
75	62	66
70	58	65
65	85	88
60	120	113
55	333	363
50	532	559
45	779	806

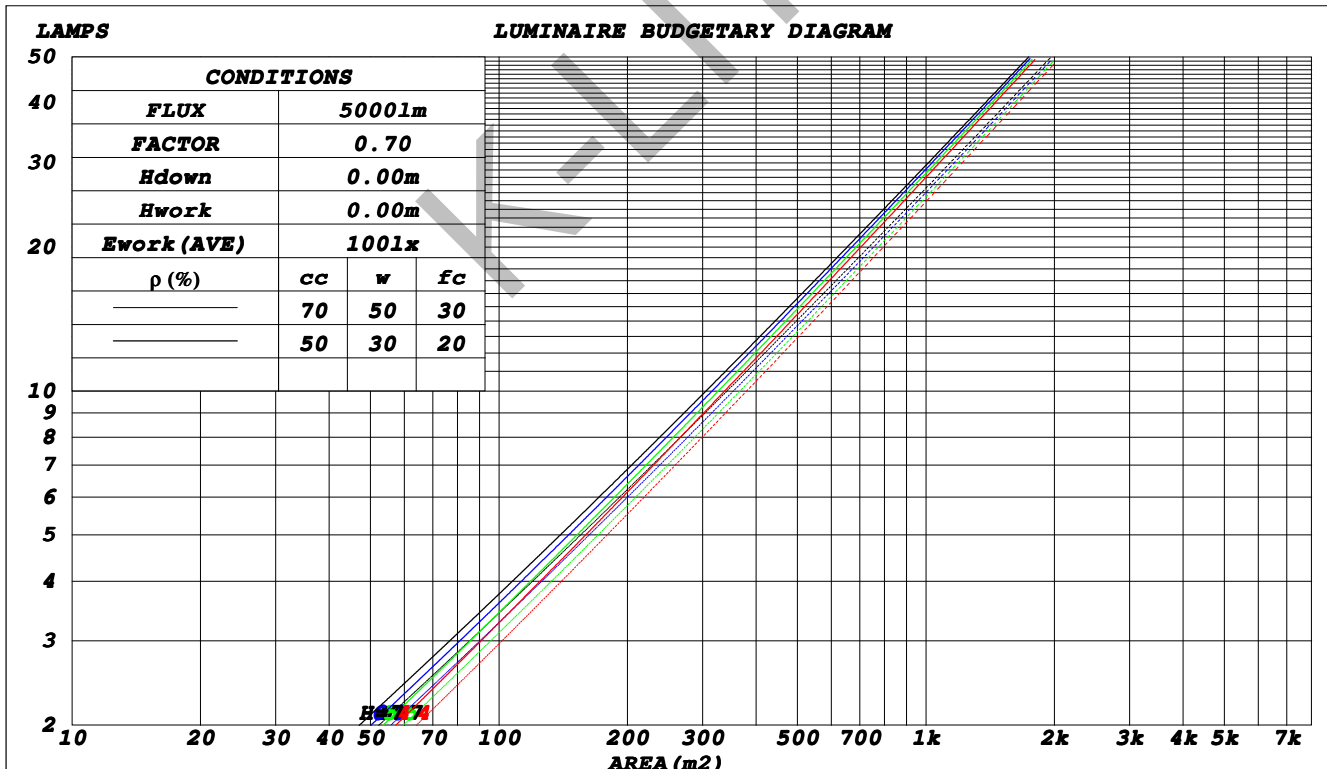
C Range: 0 - 360DEG
C Interval: 10.0DEG
Test Speed: HIGH
Temperature: 25.3DEG
Operators: AKRAM BASHA.H/BALAMURUGAN
Test Date: 06 June 2020

γ Range: 0 - 90DEG
γ Interval: 1.0DEG
Test System: EVERFINE GO-R5000_V2 SYSTEM V2.00.417
Humidity: 65.0%
Test Distance: 1.825m [K=1.0000]
Remarks:

CU AND LUMINAIRE BUDGETARY ESTIMATE DIAGRAM

Test:U:230.44V I:0.0560A P:12.672W PF:0.9813 Freq:49.99Hz Lamp Flux:884.079x1 lm		
NAME: NEBULA MIDI - BRACKET	TYPE:LANDSCAPE LUMINAIRES	WEIGHT:
SPEC.:WW, CITIZEN 1202	DIM.: 147 x 90 x 96	SERIAL No.:1375
MFR.: K-LITE	SUR.:	Shielding Angle:

ρ_{cc}	80%			70%			50%			30%			10%			0	
ρ_w	50%	30%	10%	50%	30%	10%	50%	30%	10%	50%	30%	10%	50%	30%	10%	0	
ρ_{fc}	20%			20%			20%			20%			20%			0	
RCR	RCR:Room Cavity Ratio						Coefficients of Utilization(CU)										
0.0	1.19	1.19	1.19	1.16	1.16	1.16	1.11	1.11	1.11	1.06	1.06	1.06	1.02	1.02	1.02	.00	
1.0	1.12	1.10	1.08	1.10	1.08	1.06	1.06	1.04	1.03	1.02	1.01	.00	.99	.98	.97	.95	
2.0	1.06	1.02	.99	1.04	1.01	.98	1.01	.98	.96	.98	.96	.94	.95	.94	.92	.91	
3.0	1.00	.96	.92	.99	.95	.92	.96	.93	.90	.94	.91	.89	.92	.89	.88	.86	
4.0	.95	.90	.87	.94	.90	.86	.92	.88	.85	.90	.87	.84	.88	.86	.84	.82	
5.0	.91	.86	.82	.90	.85	.82	.88	.84	.81	.87	.83	.81	.85	.82	.80	.79	
6.0	.87	.82	.78	.86	.81	.78	.85	.81	.78	.83	.80	.77	.82	.79	.77	.75	
7.0	.83	.78	.75	.83	.78	.75	.81	.77	.74	.80	.77	.74	.79	.76	.74	.72	
8.0	.80	.75	.72	.79	.75	.72	.78	.74	.71	.78	.74	.71	.77	.73	.71	.70	
9.0	.77	.72	.69	.77	.72	.69	.76	.72	.69	.75	.71	.69	.74	.71	.68	.67	
10.0	.74	.70	.67	.74	.70	.66	.73	.69	.66	.73	.69	.66	.72	.68	.66	.65	



C Range: 0 - 360DEG
 C Interval: 10.0DEG
 Test Speed: HIGH
 Temperature: 25.3DEG
 Operators: AKRAM BASHA.H/BALAMURUGAN.
 Test Date: 06 June 2020

γ Range: 0 - 90DEG
 γ Interval: 1.0DEG
 Test System: EVERFINE GO-R5000_V2 SYSTEM V2.00.417
 Humidity: 65.0%
 Test Distance: 1.825m [K=1.0000]
 Remarks:

WEC AND CCEC

Test:U:230.44V I:0.0560A P:12.672W PF:0.9813 Freq:49.99Hz Lamp Flux:884.079x1 lm		
NAME: NEBULA MIDI - BRACKET	TYPE:LANDSCAPE LUMINAIRES	WEIGHT:
SPEC.:WW, CITIZEN 1202	DIM.: 147 x 90 x 96	SERIAL No.:1375
MFR.: K-LITE	SUR.:	Shielding Angle:

ρ_{cc}	80%			70%			50%			30%			10%			0
ρ_w	50%	30%	10%	50%	30%	10%	50%	30%	10%	50%	30%	10%	50%	30%	10%	0
ρ_{fc}	20%			20%			20%			20%			20%			0
RCR	RCR:Room Cavity Ratio						Wall Exitance Coefficients (WEC)									
0.0																
1.0	.155	.088	.028	.149	.085	.027	.136	.078	.025	.125	.072	.023	.114	.066	.021	
2.0	.146	.080	.025	.141	.078	.024	.130	.072	.023	.121	.068	.021	.112	.063	.020	
3.0	.138	.073	.022	.133	.071	.021	.124	.067	.020	.116	.064	.020	.109	.060	.019	
4.0	.130	.067	.020	.126	.066	.019	.118	.063	.019	.111	.060	.018	.105	.057	.017	
5.0	.123	.062	.018	.119	.061	.018	.113	.059	.017	.107	.056	.017	.101	.054	.016	
6.0	.116	.058	.017	.113	.057	.016	.108	.055	.016	.102	.053	.016	.098	.051	.015	
7.0	.110	.055	.015	.108	.054	.015	.103	.052	.015	.098	.050	.015	.094	.049	.014	
8.0	.105	.051	.014	.103	.051	.014	.099	.049	.014	.095	.048	.014	.091	.047	.014	
9.0	.100	.049	.014	.098	.048	.013	.095	.047	.013	.091	.046	.013	.088	.044	.013	
10.0	.096	.046	.013	.094	.045	.013	.091	.044	.013	.088	.043	.012	.085	.043	.012	

ρ_{cc}	80%			70%			50%			30%			10%			0
ρ_w	50%	30%	10%	50%	30%	10%	50%	30%	10%	50%	30%	10%	50%	30%	10%	0
ρ_{fc}	20%			20%			20%			20%			20%			0
RCR	RCR:Room Cavity Ratio						Ceiling Cavity Exitance Coefficients (CCEC)									
0.0	.190	.190	.190	.163	.163	.163	.111	.111	.111	.064	.064	.064	.020	.020	.020	
1.0	.170	.158	.147	.145	.135	.126	.099	.093	.087	.057	.054	.051	.018	.017	.016	
2.0	.153	.133	.116	.131	.114	.100	.090	.079	.070	.052	.046	.041	.017	.015	.013	
3.0	.139	.113	.093	.119	.098	.081	.082	.068	.057	.047	.040	.033	.015	.013	.011	
4.0	.127	.098	.076	.109	.085	.066	.075	.059	.047	.043	.035	.028	.014	.011	.009	
5.0	.118	.086	.063	.101	.075	.055	.070	.052	.039	.040	.031	.023	.013	.010	.008	
6.0	.109	.077	.053	.094	.066	.046	.065	.046	.033	.038	.027	.019	.012	.009	.006	
7.0	.102	.069	.045	.088	.060	.039	.061	.042	.028	.035	.025	.017	.011	.008	.006	
8.0	.096	.062	.039	.082	.054	.034	.057	.038	.024	.033	.022	.014	.011	.007	.005	
9.0	.090	.057	.034	.078	.049	.030	.054	.035	.021	.031	.020	.013	.010	.007	.004	
10.0	.085	.052	.030	.074	.045	.026	.051	.032	.018	.030	.019	.011	.010	.006	.004	

C Range: 0 - 360DEG

C Interval: 10.0DEG

Test Speed: HIGH

Temperature: 25.3DEG

Operators: AKRAM BASHA.H/BALAMURUGAN.

Test Date: 06 June 2020

γ Range: 0 - 90DEG

γ Interval: 1.0DEG

Test System: EVERFINE GO-R5000_V2 SYSTEM V2.00.417

Humidity: 65.0%

Test Distance: 1.825m [K=1.0000]

Remarks:

UGR(Unified Glare Rating) Table

Test:U:230.44V I:0.0560A P:12.672W PF:0.9813 Freq:49.99Hz Lamp Flux:884.079x1 lm										
NAME: NEBULA MIDI - BRACKET					TYPE:LANDSCAPE LUMINAIRES			WEIGHT:		
SPEC.:WW, CITIZEN 1202					DIM.: 147 x 90 x 96			SERIAL No.:1375		
MFR.: K-LITE					SUR.:			Shielding Angle:		
ceiling/cavity	0.7	0.7	0.5	0.5	0.3	0.7	0.7	0.5	0.5	0.3
walls	0.5	0.3	0.5	0.3	0.3	0.5	0.3	0.5	0.3	0.3
working plane	0.2	0.2	0.2	0.2	0.2	0.2	0.2	0.2	0.2	0.2
Room dimensions	Viewed crosswise					Viewed endwise				
x = 2H y = 2H	4.7	5.4	4.9	5.6	5.7	4.9	5.7	5.1	5.8	6.0
3H	4.5	5.3	4.8	5.4	5.6	4.8	5.5	5.1	5.7	5.9
4H	4.5	5.2	4.7	5.4	5.6	4.8	5.4	5.0	5.7	5.9
6H	4.4	5.1	4.7	5.3	5.5	4.7	5.4	5.0	5.6	5.8
8H	4.4	5.0	4.7	5.3	5.5	4.7	5.3	5.0	5.5	5.8
12H	4.4	5.0	4.7	5.2	5.5	4.7	5.2	5.0	5.5	5.8
4H 2H	4.5	5.2	4.8	5.4	5.6	4.7	5.4	5.0	5.6	5.9
3H	4.4	5.0	4.7	5.3	5.5	4.7	5.3	5.0	5.5	5.8
4H	4.3	4.9	4.7	5.2	5.5	4.6	5.1	4.9	5.4	5.7
6H	4.3	4.8	4.7	5.1	5.4	4.6	5.0	4.9	5.4	5.7
8H	4.3	4.7	4.7	5.1	5.4	4.5	5.0	4.9	5.3	5.7
12H	4.2	4.6	4.6	5.0	5.4	4.5	4.9	4.9	5.3	5.7
8H 4H	4.2	4.7	4.6	5.0	5.4	4.5	4.9	4.9	5.3	5.6
6H	4.2	4.6	4.6	4.9	5.4	4.4	4.8	4.9	5.2	5.6
8H	4.2	4.5	4.6	4.9	5.3	4.4	4.8	4.9	5.2	5.6
12H	4.1	4.4	4.6	4.9	5.3	4.4	4.7	4.9	5.1	5.6
12H 4H	4.2	4.6	4.6	5.0	5.3	4.4	4.8	4.8	5.2	5.6
6H	4.1	4.5	4.6	4.9	5.3	4.4	4.7	4.8	5.1	5.6
8H	4.1	4.4	4.6	4.8	5.3	4.4	4.7	4.9	5.1	5.6
Variations with the observer position at spacings:										
S = 1.0H	+ 2.1 / - 5.5					+ 2.0 / - 4.5				
1.5H	+ 2.7 / - 3.4					+ 2.6 / - 2.8				
2.0H	+ 4.4 / - 6.1					+ 4.1 / - 6.2				

CIE Pub.117, 884.1 lm Total Lamp Luminous Flux Corrected (8log(F/F0) = -0.4)
Area: 0.1 m2

C Range: 0 - 360DEG	γ Range: 0 - 90DEG
C Interval: 10.0DEG	γ Interval: 1.0DEG
Test Speed: HIGH	Test System:EVERFINE GO-R5000_V2 SYSTEM V2.00.417
Temperature:25.3DEG	Humidity:65.0%
Operators:AKRAM BASHA.H/BALAMURUGAN.	Test Distance:1.825m [K=1.0000]
Test Date:06 June 2020	Remarks:

UTILIZATION FACTORS TABLE

Test:U:230.44V I:0.0560A P:12.672W PF:0.9813 Freq:49.99Hz Lamp Flux:884.079x1 Lm		
NAME: NEBULA MIDI - BRACKET	TYPE:LANDSCAPE LUMINAIRES	WEIGHT:
SPEC.:WW, CITIZEN 1202	DIM.: 147 x 90 x 96	SERIAL No.:1375
MFR.: K-LITE	SUR.:	Shielding Angle:

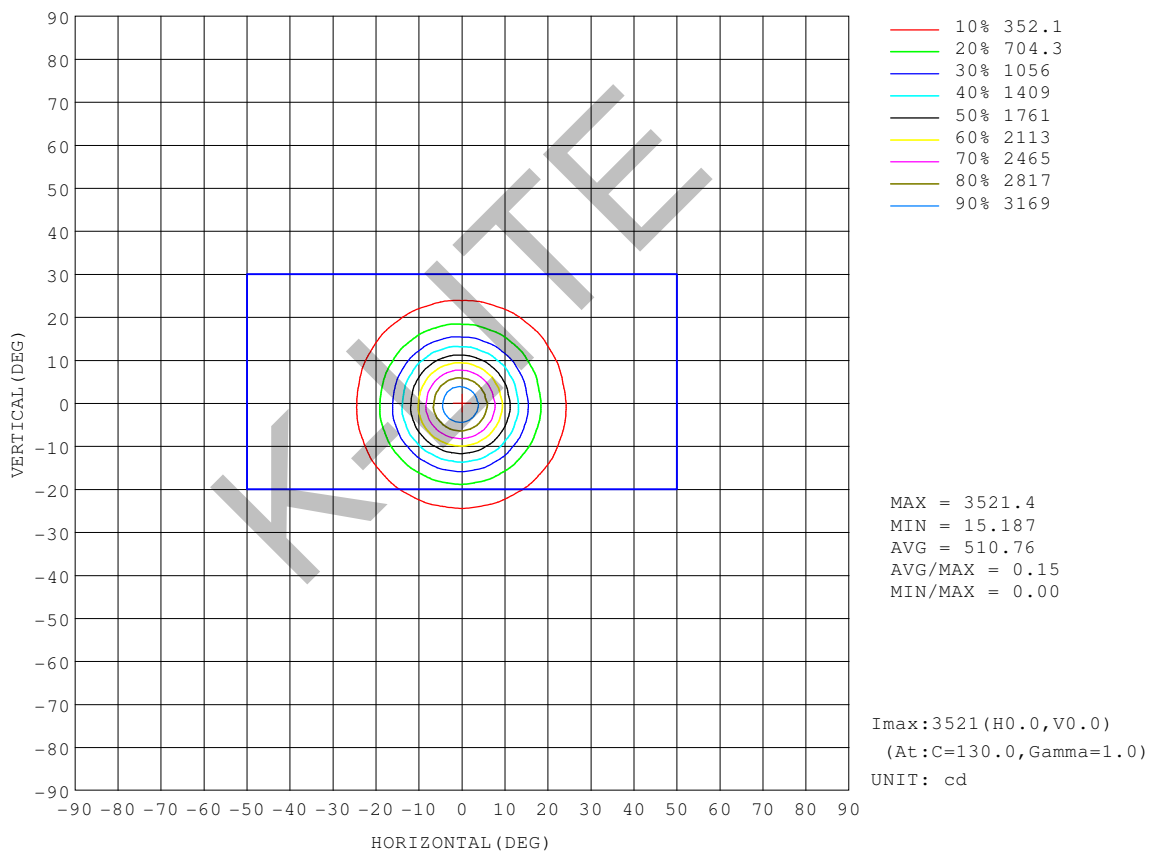
REFLECTANCE										
Ceiling	0.8	0.8	0.8	0.7	0.7	0.7	0.5	0.5	0.5	0
Walls	0.7	0.5	0.3	0.7	0.5	0.3	0.7	0.5	0.3	0
Working plane	0.2	0.2	0.2	0.2	0.2	0.2	0.2	0.2	0.2	0
ROOM INDEX	UTILIZATION FACTORS (PERCENT) $k(RI) \times RCR = 5$									
k = 0.60	87	80	76	86	80	76	85	80	76	73
0.80	94	88	85	94	88	84	92	87	84	80
1.00	99	93	90	98	93	89	96	93	89	85
1.25	103	98	94	102	97	94	100	96	93	89
1.50	106	101	98	105	100	97	102	99	96	92
2.00	108	104	101	107	103	100	104	101	99	94
2.50	110	106	103	109	105	102	105	103	101	95
3.00	112	108	106	110	107	104	107	104	102	96
4.00	114	111	109	112	109	107	108	106	105	98
5.00	115	113	111	113	111	109	109	107	106	99
ROOM INDEX	UF(total)									Direct
According to DIN EN 13032-2 2004			Suspended				SHRNOM = 1.25			

C Range: 0 - 360DEG
C Interval: 10.0DEG
Test Speed: HIGH
Temperature:25.3DEG
Operators:AKRAM BASHA.H/BALAMURUGAN
Test Date:06 June 2020

γ Range: 0 - 90DEG
 γ Interval: 1.0DEG
Test System:EVERFINE GO-R5000_V2 SYSTEM V2.00.417
Humidity:65.0%
Test Distance:1.825m [K=1.0000]
Remarks:

ISOCANDELA DIAGRAM

Test:U:230.44V I:0.0560A P:12.672W PF:0.9813 Freq:49.99Hz Lamp Flux:884.079x1 lm		
NAME: NEBULA MIDI - BRACKET	TYPE:LANDSCAPE LUMINAIRES	WEIGHT:
SPEC.:WW, CITIZEN 1202	DIM.: 147 x 90 x 96	SERIAL No.:1375
MFR.: K-LITE	SUR.:	Shielding Angle:



C Range: 0 - 360DEG

C Interval: 10.0DEG

Test Speed: HIGH

Temperature:25.3DEG

Operators:AKRAM BASHA.H/BALAMURUGAN

Test Date:06 June 2020

γ Range: 0 - 90DEG

γ Interval: 1.0DEG

Test System:EVERFINE GO-R5000_V2 SYSTEM V2.00.417

Humidity:65.0%

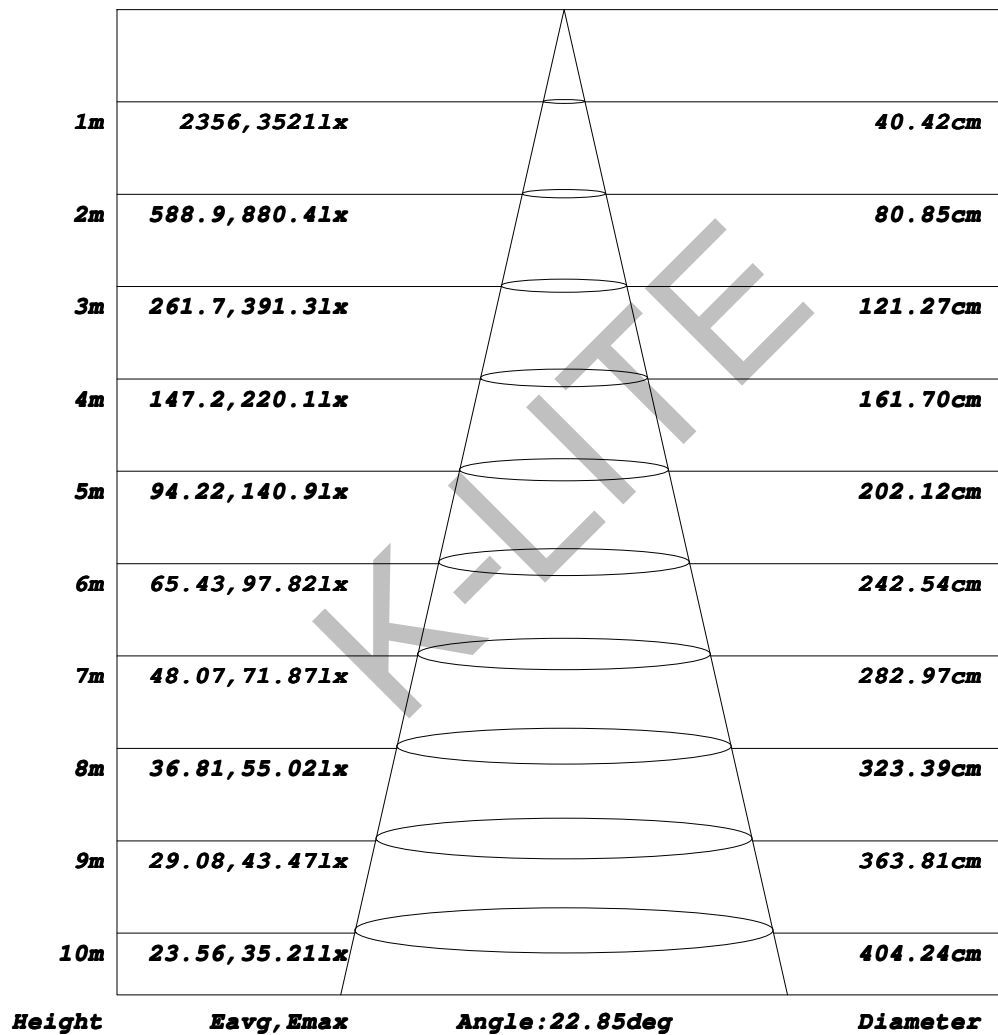
Test Distance:1.825m [K=1.0000]

Remarks:

AAI Figure

Test:U:230.44V I:0.0560A P:12.672W PF:0.9813 Freq:49.99Hz Lamp Flux:884.079x1 lm		
NAME: NEBULA MIDI - BRACKET	TYPE:LANDSCAPE LUMINAIRES	WEIGHT:
SPEC.:WW, CITIZEN 1202	DIM.: 147 x 90 x 96	SERIAL No.:1375
MFR.: K-LITE	SUR.:	Shielding Angle:

Flux out:334.3 lm



Note:The Curves indicate the illuminated area and the average illumination when the luminaire is at different distance.

C Range: 0 - 360DEG

C Interval: 10.0DEG

Test Speed: HIGH

Temperature:25.3DEG

Operators:AKRAM BASHA.H/BALAMURUGAN.

Test Date:06 June 2020

γ Range: 0 - 90DEG

γ Interval: 1.0DEG

Test System:EVERFINE GO-R5000_V2 SYSTEM V2.00.417

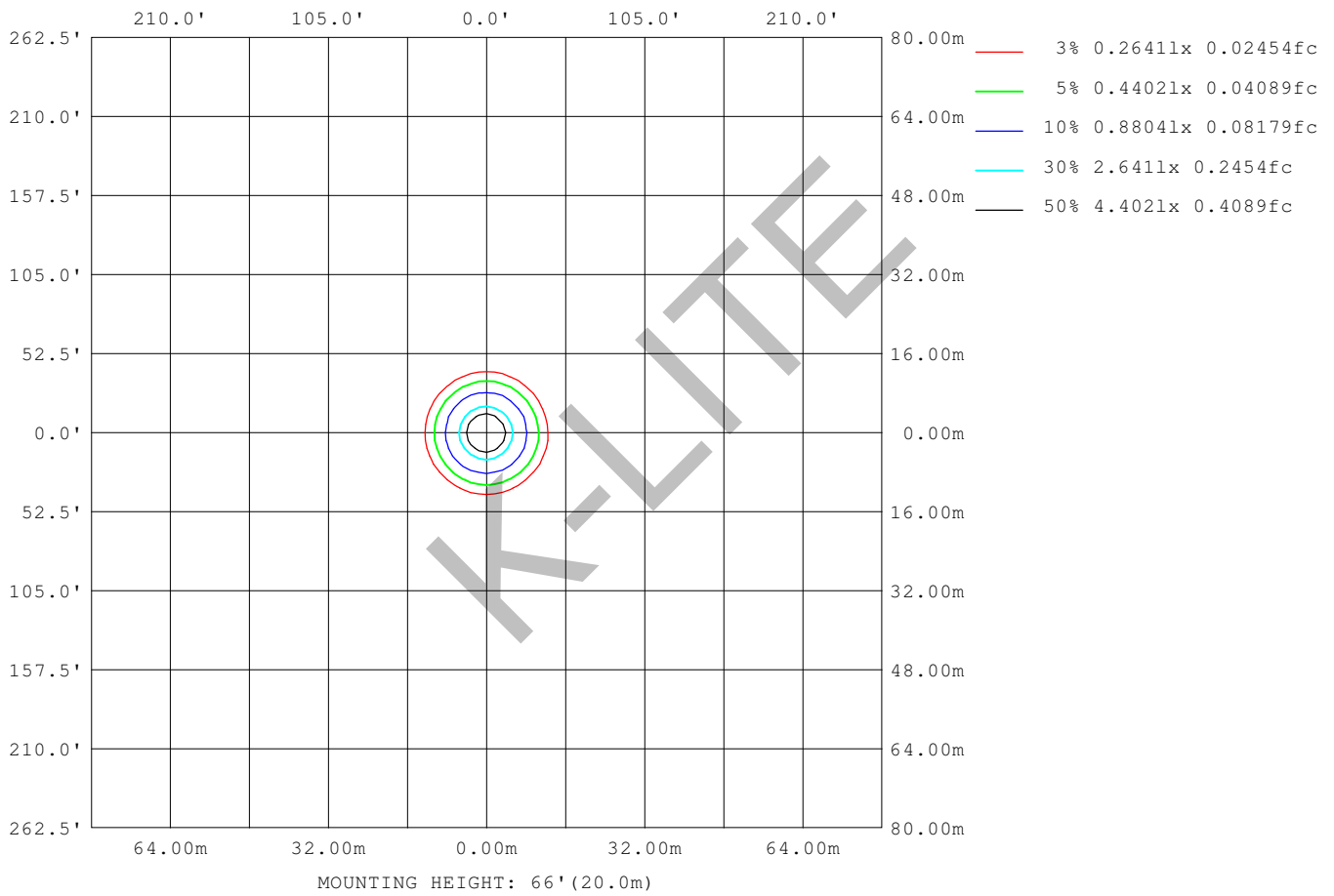
Humidity:65.0%

Test Distance:1.825m [K=1.0000]

Remarks:

ISOLUX DIAGRAM

Test:U:230.44V I:0.0560A P:12.672W PF:0.9813 Freq:49.99Hz Lamp Flux:884.079x1 lm		
NAME: NEBULA MIDI - BRACKET	TYPE:LANDSCAPE LUMINAIRES	WEIGHT:
SPEC.:WW, CITIZEN 1202	DIM.: 147 x 90 x 96	SERIAL No.:1375
MFR.: K-LITE	SUR.:	Shielding Angle:



C Range: 0 - 360DEG
C Interval: 10.0DEG
Test Speed: HIGH
Temperature:25.3DEG
Operators:AKRAM BASHA.H/BALAMURUGAN
Test Date:06 June 2020

γ Range: 0 - 90DEG
γ Interval: 1.0DEG
Test System:EVERFINE GO-R5000_V2 SYSTEM V2.00.417
Humidity:65.0%
Test Distance:1.825m [K=1.0000]
Remarks:

LED Avg.L Report

Test:U:230.44V I:0.0560A P:12.672W PF:0.9813 Freq:49.99Hz Lamp Flux:884.079x1 Lm		
NAME: NEBULA MIDI - BRACKET	TYPE:LANDSCAPE LUMINAIRES	WEIGHT:
SPEC.:WW, CITIZEN 1202	DIM.: 147 x 90 x 96	SERIAL No.:1375
MFR.: K-LITE	SUR.:	Shielding Angle:

AvgL	cd/m2
L_0~180 (65) av	88
L_0~180 (75) av	64
L_0~180 (85) av	69
L_90~270 (65) av	90
L_90~270 (75) av	67
L_90~270 (85) av	81
L_45 (65) av	95
L_45 (75) av	66
L_45 (85) av	82

Standard: GB/T 29293-2012

C Range: 0 - 360DEG

C Interval: 10.0DEG

Test Speed: HIGH

Temperature:25.3DEG

Operators:AKRAM BASHA.H/BALAMURUGAN.

Test Date:06 June 2020

γ Range: 0 - 90DEG

γ Interval: 1.0DEG

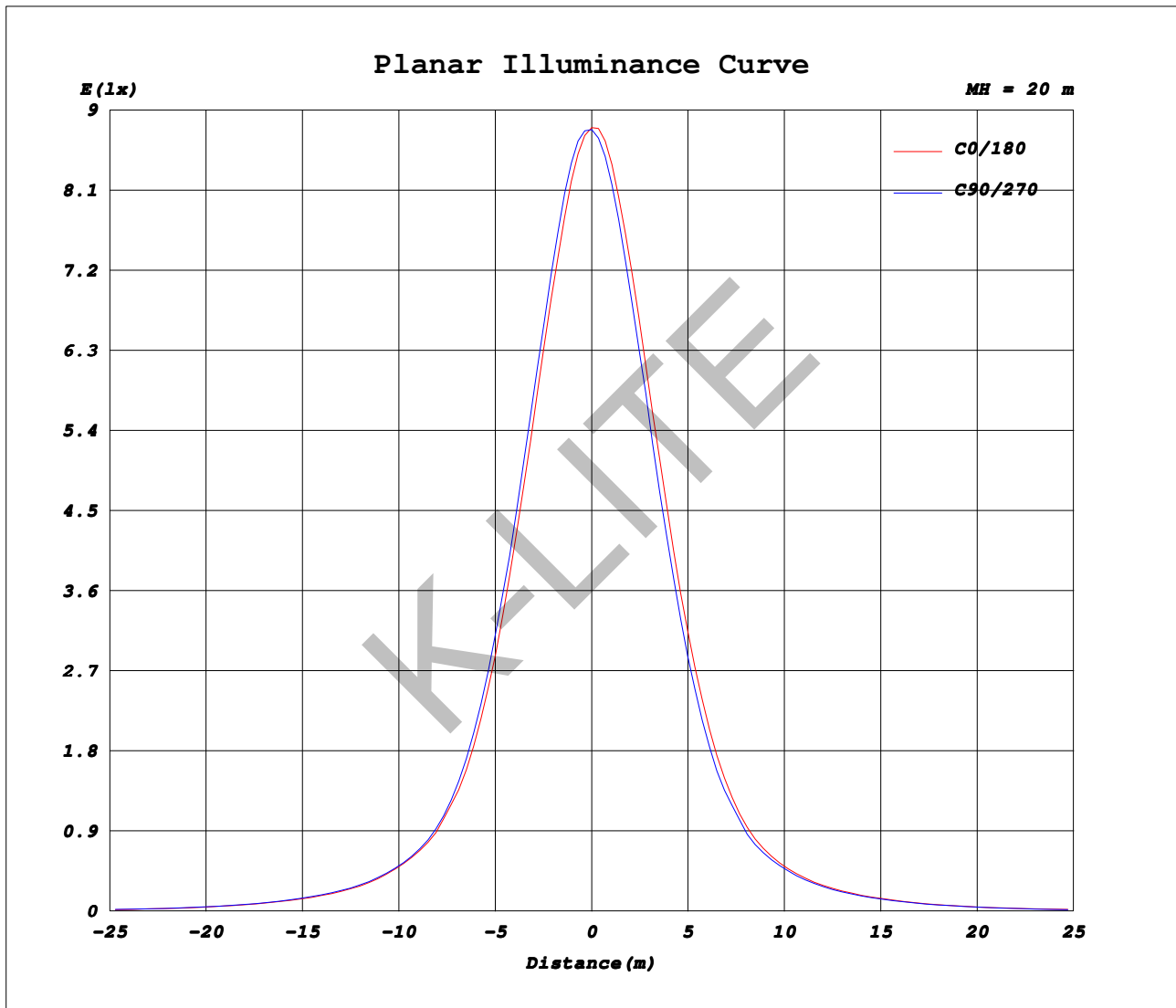
Test System:EVERFINE GO-R5000_V2 SYSTEM V2.00.417

Humidity:65.0%

Test Distance:1.825m [K=1.0000]

Remarks:

Planar Illuminance Curve



C Range: 0 - 360DEG

C Interval: 10.0DEG

Test Speed: HIGH

Temperature: 25.3DEG

Operators: AKRAM BASHA.H/BALAMURUGAN

Test Date: 06 June 2020

γ Range: 0 - 90DEG

γ Interval: 1.0DEG

Test System: EVERFINE GO-R5000_V2 SYSTEM V2.00.417

Humidity: 65.0%

Test Distance: 1.825m [K=1.0000]

Remarks:

LUMINOUS DISTRIBUTION INTENSITY DATA

Test:U:230.44V I:0.0560A P:12.672W PF:0.9813 Freq:49.99Hz Lamp Flux:884.079x1 lm		
NAME: NEBULA MIDI - BRACKET	TYPE:LANDSCAPE LUMINAIRES	WEIGHT:
SPEC.:WW, CITIZEN 1202	DIM.: 147 x 90 x 96	SERIAL No.:1375
MFR.: K-LITE	SUR.:	Shielding Angle:

Table--1

UNIT: cd

C (DEG) γ (DEG)	0	10	20	30	40	50	60	70	80	90	100	110	120	130	140	150	160	170	180
0	3514	3514	3514	3514	3514	3514	3514	3514	3514	3514	3514	3514	3514	3514	3514	3514	3514	3514	3514
5	2964	2974	2970	2994	2997	3026	3031	3057	3059	3085	3084	3112	3104	3124	3112	3127	3113	3122	3076
10	1995	2009	2005	2027	2027	2054	2053	2080	2085	2113	2107	2129	2126	2160	2159	2173	2163	2177	2128
15	1113	1128	1118	1141	1129	1157	1147	1177	1172	1198	1187	1213	1203	1245	1226	1263	1238	1267	1215
20	577	573	577	577	583	587	592	596	600	603	608	612	618	626	630	635	622	638	616
25	325	330	327	333	329	332	326	332	328	333	330	337	332	338	333	338	333	339	331
30	198	202	201	204	201	205	201	204	203	205	204	208	205	207	204	206	202	205	201
35	129	131	130	132	131	133	131	133	132	134	132	134	132	134	132	134	131	133	130
40	84.8	84.8	84.9	86.6	85.5	87.2	86.6	88.5	87.4	88.2	85.8	87.7	86.5	88.4	87.5	89.0	87.8	88.9	86.3
45	55.0	54.1	54.2	55.2	55.5	56.5	56.8	57.0	57.1	57.0	55.4	56.2	55.9	57.2	57.4	57.6	57.1	56.9	55.2
50	34.1	33.2	32.6	33.4	34.1	35.8	36.0	36.8	36.2	35.9	34.3	34.1	34.0	35.5	36.1	36.8	36.3	36.4	35.2
55	19.0	18.2	17.4	17.9	18.6	20.3	20.7	21.3	21.0	20.8	19.3	18.9	19.1	20.5	21.0	21.6	21.2	21.5	20.2
60	5.98	5.00	4.95	5.32	6.26	5.51	5.96	5.66	6.16	5.67	6.08	5.72	6.32	6.32	7.22	6.63	7.33	6.57	5.95
65	3.59	3.13	3.40	3.76	3.79	3.81	3.78	3.85	3.87	3.71	3.69	3.59	3.91	4.08	4.16	4.24	4.28	4.21	3.86
70	1.97	2.07	2.06	2.07	2.06	2.07	2.07	2.09	2.14	2.22	2.22	2.31	2.42	2.56	2.63	2.72	2.61	2.56	2.41
75	1.59	1.63	1.65	1.67	1.66	1.67	1.65	1.67	1.69	1.72	1.80	1.74	1.73	1.76	1.77	1.77	1.75	1.73	1.70
80	1.06	1.08	1.11	1.12	1.12	1.14	1.13	1.16	1.18	1.22	1.26	1.27	1.29	1.33	1.33	1.33	1.31	1.27	1.21
85	0.51	0.52	0.55	0.57	0.58	0.60	0.60	0.62	0.64	0.68	0.72	0.75	0.79	0.82	0.83	0.82	0.80	0.76	0.69
90	0.00	0.00	0.00	0.00	0.00	0.00	0.00	0.00	0.00	0.00	0.00	0.00	0.00	0.00	0.00	0.00	0.00	0.00	0.00

C Range: 0 - 360DEG

C Interval: 10.0DEG

Test Speed: HIGH

Temperature:25.3DEG

Operators:AKRAM BASHA.H/BALAMURUGAN

Test Date:06 June 2020

γ Range: 0 - 90DEG

γ Interval: 1.0DEG

Test System:EVERFINE GO-R5000_V2 SYSTEM V2.00.417

Humidity:65.0%

Test Distance:1.825m [K=1.0000]

Remarks:

LUMINOUS DISTRIBUTION INTENSITY DATA

Test:U:230.44V I:0.0560A P:12.672W PF:0.9813 Freq:49.99Hz Lamp Flux:884.079x1 lm		
NAME: NEBULA MIDI - BRACKET	TYPE:LANDSCAPE LUMINAIRES	WEIGHT:
SPEC.:WW, CITIZEN 1202	DIM.: 147 x 90 x 96	SERIAL No.:1375
MFR.: K-LITE	SUR.:	Shielding Angle:

Table--2

UNIT: cd

C (DEG) \ γ (DEG)	190	200	210	220	230	240	250	260	270	280	290	300	310	320	330	340	350		
0	3514	3514	3514	3514	3514	3514	3514	3514	3514	3514	3514	3514	3514	3514	3514	3514	3514		
5	3061	3061	3044	3047	3024	3026	2995	2990	2960	2961	2941	2949	2934	2944	2930	2942	2931		
10	2112	2110	2090	2091	2058	2056	2022	2015	1978	1976	1950	1961	1945	1955	1941	1958	1950		
15	1194	1207	1180	1188	1158	1165	1134	1136	1108	1112	1087	1099	1081	1098	1081	1100	1083		
20	617	609	607	601	598	591	574	578	574	563	554	560	558	559	554	561	554		
25	327	331	324	326	318	321	314	317	311	316	311	317	312	317	313	320	316		
30	199	202	198	200	195	196	193	195	192	195	192	196	193	196	193	196	194		
35	129	130	128	130	127	128	127	127	126	127	125	127	126	128	126	128	126		
40	84.4	85.6	83.9	84.6	83.4	85.0	83.9	84.4	82.6	82.2	81.5	82.9	82.5	84.4	83.7	84.9	83.5		
45	53.6	54.8	53.5	54.2	53.8	54.7	54.0	54.2	53.5	52.0	51.1	52.1	52.9	54.8	54.8	54.9	54.3		
50	33.6	33.7	33.1	34.1	34.4	35.0	34.6	34.8	33.3	31.9	30.2	31.3	32.9	34.5	34.6	35.1	34.4		
55	18.8	18.8	18.4	19.4	19.6	20.2	19.8	20.0	18.7	17.4	15.7	16.9	18.2	19.6	19.4	19.8	19.2		
60	6.19	5.80	6.26	6.12	6.44	6.02	6.27	5.72	5.67	5.16	5.04	5.30	6.17	5.31	6.12	5.27	6.03		
65	3.70	3.78	4.20	4.21	4.26	4.28	4.27	4.19	3.87	3.55	3.47	3.81	3.79	3.93	3.94	3.86	3.85		
70	2.13	2.13	2.09	2.16	2.15	2.11	2.10	2.09	2.19	2.15	2.07	1.97	1.92	1.88	1.87	1.90	1.95		
75	1.69	1.68	1.70	1.78	1.77	1.74	1.74	1.73	1.73	1.76	1.68	1.63	1.60	1.56	1.54	1.57	1.60		
80	1.19	1.19	1.22	1.31	1.28	1.24	1.23	1.24	1.24	1.24	1.18	1.15	1.13	1.10	1.06	1.07	1.07		
85	0.66	0.67	0.71	0.80	0.78	0.75	0.74	0.75	0.73	0.69	0.63	0.64	0.63	0.62	0.57	0.54	0.51		
90	0.00	0.00	0.00	0.00	0.00	0.00	0.00	0.00	0.00	0.00	0.00	0.00	0.00	0.00	0.00	0.00	0.00		

C Range: 0 - 360DEG

C Interval: 10.0DEG

Test Speed: HIGH

Temperature:25.3DEG

Operators:AKRAM BASHA.H/BALAMURUGAN.

Test Date:06 June 2020

γ Range: 0 - 90DEG

γ Interval: 1.0DEG

Test System:EVERFINE GO-R5000_V2 SYSTEM V2.00.417

Humidity:65.0%

Test Distance:1.825m [K=1.0000]

Remarks: