

Path Finders

Installation, Use and Maintenance Guidelines
(Indicative for all luminaires in this series)



Application

Wall mounted luminaire with shielded light source, Designed for low mounting heights for the illumination of interior and exterior locations where guidance and security lighting is required. Various lamping options including LED offers durability and optimal light output with low power consumption.



Note : Technical amendments reserved

Light Source : LED / CFL. Varied wattage Options

Normal rated voltage for luminaire is 220-240V, 50Hz, single phase ac supply.

Installation Recommendation

- This product is suitable for Indoor & Outdoor application.
- The main material of this product is aluminium, Surface coatings is suitable only for natural environment. Don't install this product near sea water or in the environment which is high in salt or acid content.
- Electronic equipment is sensitive to voltage surges. Hence it is recommended to install a stabilizer at source to ensure constant voltage power supply to all outdoor luminaires, for better performance and life span of the luminaire and to avoid risk of damage.
- Installation and maintenance of the luminaire should be carried out by qualified person only in accordance with good electrical practice and appropriate accessories.
- It is very important to follow these instructions to enable the luminaire to be installed correctly. Failure to follow this will void all warranty on the product.
- Please retain installation guidelines for future reference.

Technical Specifications

- Luminaire made of die cast aluminium alloy and non corrosive stainless steel 304 grade fasteners.
- Non yellowing UV stabilized clear / translucent diffuser
- Silicon gasket
- Industrial plastic Installation housing for preparing the recess opening in the wall / stairs.
- Mounting plate with 2 fixing holes for mounting on recessed plastic housing. For Jado luminaire, the body is recess fitted
- Cable entries for through-wiring of mains supply cable
- Earth connection
- Safety class I
- Protection class IP 65

- CE - Conformity mark
- Finished with pure polyester powder coated graphite grey / black

Light distribution

Luminaire photometric data / IES files for the light planning program DIALux can be downloaded in IES-format on the KLITE web page www.klite.in.

Safety

- For Safety, always ensure power supply is disconnected before regular maintenance, lamp replacement and accessory fitting.
- Installation and operation of this luminaire are subject to national safety regulations. The manufacturer is discharged from liability when damage is caused by improper use or installation.
- Any modification to this fixture without authorization will void all warranty and the persons responsible for the modification shall be considered as manufacturer.
- Observe precautions for handling LED module.
- Do not subject the product for voltage or current which is not rated for.
- Do not use lamps with higher wattage than indicated.
- Luminaire not suitable for direct mounting on normally flammable surfaces

Installation

The luminaire must be operated with the complete protective cover:

- The luminaire must not permanently get in contact with aggressive media that might corrode the housing of the luminaire.
- The recessed opening is covered by the frame of the luminaire housing.
- Dismantle luminaire from the recess plastic housing.
- Position recess plastic housing into the solid wall and fix it using suitable fixing material.
- Do not open the front plate of light output opening of LED directly during installation.
- Use only flexible supply cables of suitable rating and diameter. Do not use hard cables or armoured cables (Hard cable could effect the IP rating of the product).
- Do not enter the single wires into the power point connector.
- Please ensure that the wires are connected to the right polarity [Phase, Neutral & Earth] and the luminaire must be earthed (Class I).
- Insert luminaire into the mounting plate and fix with non-corrosive stainless steel screws.
- Lock and unlock the screws following an alternative sequence, tightening all screws evenly.

Important Note

- LEDs are highly sensitive electronic components. Please avoid touching the light source directly, during installation.
- If fixture is supplied with integrated LED module, **Do Not Open** the front plate of luminaire during installation. Warranty void if the LED compartment is opened

Cleaning and care

- After installation, the luminaire should first be cleaned.
- Building dust, residues from pressure-sensitive adhesives, paint splatter and rust film must be completely removed. Never use cleaning implements made of normal steel, steel brushes or steel wool because they cause extraneous rust to form.
- Cleaning agents containing hydrochloric acid and chlorides should never be used.
- We recommend cleaning the luminaires regularly.
- Do not use high pressure cleaners

Maintenance Recommendations

A scheduled maintenance program must be carried out on the Installation and fixtures regardless of the IP rating or application

- Disconnect the electrical supply before maintenance operation
- Open the luminaire. Remove the lamp
- Check the gasket, diffuser, seals are in good condition and replace, if necessary.
- Check that the screws are not loose on various components and that the cable gland is securely tight
- Ensure the luminaire is properly closed and clamped back into position after regular maintenance of lamp or control gear in order to maintain the IP rating of the fixture.

Note For LED Version: The LED module contained in this luminaire shall only be replaced as per the manufacturer recommendation. For further informations, please contact your supplier.

Storage

If site is not ready for installation, store the material in proper warehouse facilities. K-Lite is not responsible for the damages caused due to the mishandling of material at site.



Important Note

To ensure proper installation, kindly translate / communicate the installation instructions to the local qualified electrician in their respective local language.



Please Recycle

The electronic components of this product should not be disposed via the normal waste system. To prevent possible harm to the environment and Human health please ensure that the product is recycled in an environmentally sound manner. Please contact your local collection facilities for more details

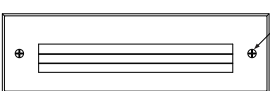
Customer Service

If Klite agrees to receive back some fixtures for Lab Testing and further analysis please ensure that the fixtures shipped should NOT BE DISASSEMBLED. Disconnect the power line and ship the product as is unless otherwise specified.

Please contact customercare@klite.in for more information.

Path Finders

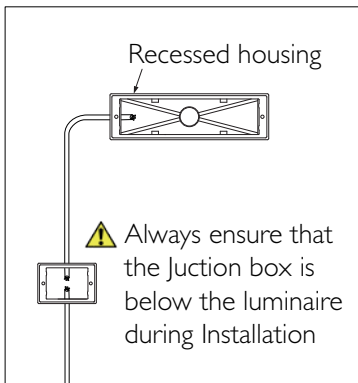
Installation Guidelines



Remove 2 Screws

- The recessed opening is covered by the frame of the luminaire housing.
- Dismantle luminaire from the recess plastic housing.

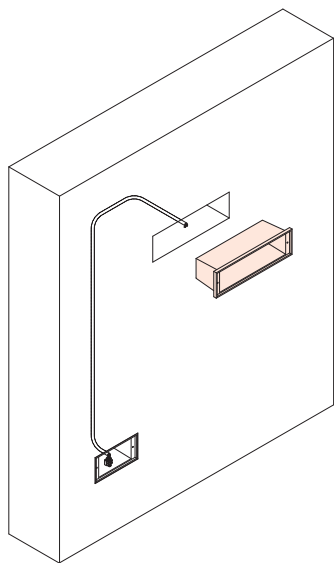
Front View



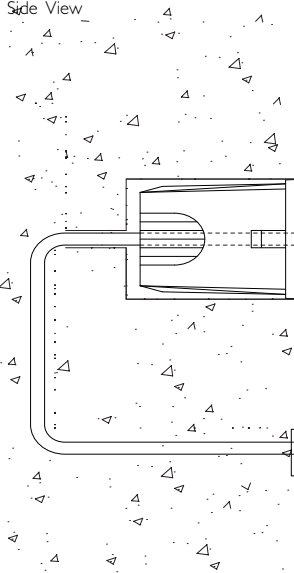
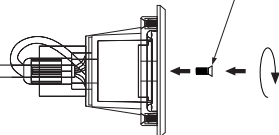
Recessed housing

⚠ Always ensure that the Junction box is below the luminaire during Installation

Position recess plastic housing into the solid wall and fix it using suitable fixing material.



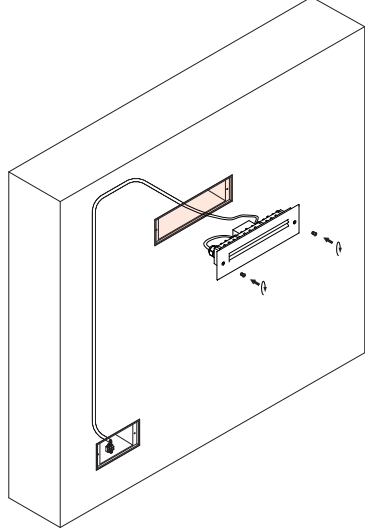
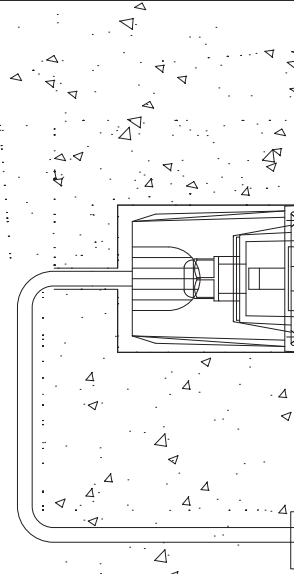
Side View

Tighten Screws

Always ensure that the Junction box is below the luminaire

Please ensure that the wires are connected to the right polarity [Phase, Neutral & Earth] and the luminaire must be earthed (Class I).

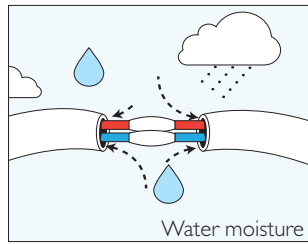



Insert luminaire into the mounting plate and fix with non-corrosive stainless steel screws

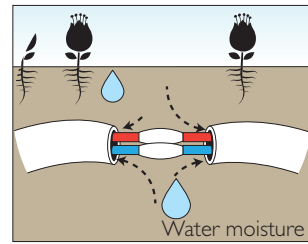
How to Install your outdoor luminaire correctly with connectors



Water infiltration is one of the biggest reasons of damage to outdoors fixtures .The main reason being no proper water proof connectors being used during installation.



Exposed open Air

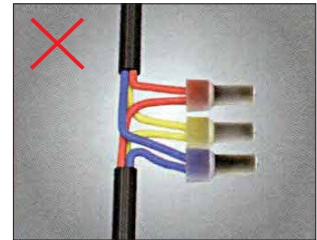
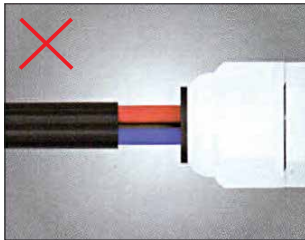


Underground

Why use the water - proof connector ?

When the fixture is turned on, the inside temperature will increase as the operating time goes. Conversely when the lamp stops working, the temperature will drop slowly. This phenomenon will cause "The siphon effect". Thermal expansion and contraction makes the inside and outside air pressure different. The air which includes water vapour will infiltrate to the housing through the wire entry as soon as the internal air pressure is lesser than the external pressure. The infiltration is caused by several incorrect connections like the picture below. This water vapour will then become droplets of water that will be seen inside the fixture.

Incorrect Installation



When the wire is connected into the fixture through cable gland, the cable must be more than 10mm inside. Please refer to the images below.

