



TRISHA SERIES

Low-glare Down Lighters

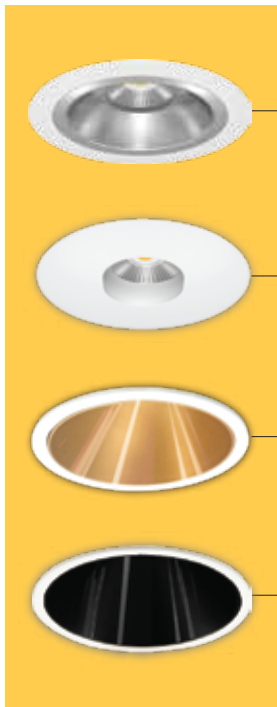
LED Engine made of Die-cast aluminium, modular structure for quick and easy configuration.

Designed with excellent heat-dissipation properties.

The lumen output of this series is exceptional

UGR<16

Varied housing is available for different architectural requirements



Fixed

Adjustable

Wall Washer

Dark Reflector

TRISHA

Down Lighters

Varied housing are available for different architectural requirements

IP54 Module



Configurable modular downlight

Thanks to the modular structure, it can be easily
Configured as needed for specific applications

K-LITE

Trisha Module

Technical Specifications

GENERAL

ID	: 28177 / 28178 (IP54)
System Wattage	: 7W / 12W
Driver Integral	: Constant Current
Input Voltage	: 230-240Vac
Frequency	: 50-60 Hz
Operating Voltage	: 90-265Vac
Operating Temperature	: 25°~55°C

LIGHT SOURCE

Light Source	: CITIZEN / BRIDGLUX
LED Lumens	: 700 lm / 1200 lm
CRI (Ra)	: 90
LED Colour Temperature	: 2700K / 3000K / 4000K / 6500K
Life Span	: L70 / B10@ 50,000 Hrs
SDCM	: ≤ 3

PHYSICAL

Body	: Die cast aluminium
Diffuser	: Clear Polycarbonate
Mounting	: Recessed

AREA OF APPLICATION

Lobbies & Foyers, Retail Sector, Corporate Office, Residential & Educational premises, Commercial & Business Centres, Hospitality Industry



Options

- Driver options



Beam Angle



Optional : Lens / Reflector



LED Module

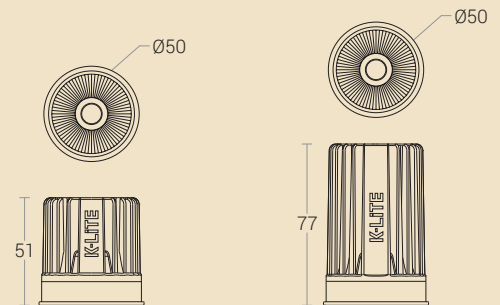


ID : 28177 , 7W

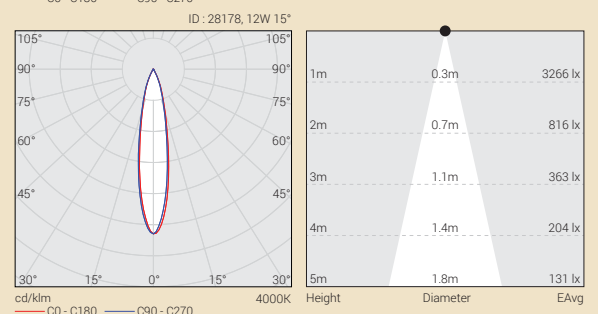
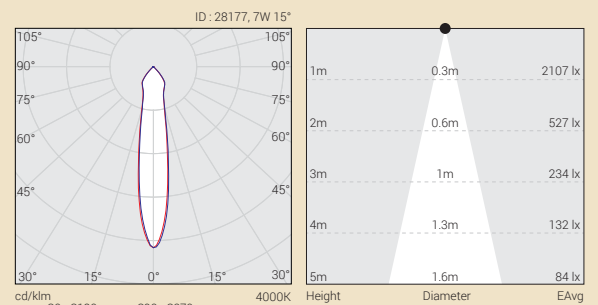


ID : 28178 , 12W

Dimension Sketch



Photometric Data Cone diagram

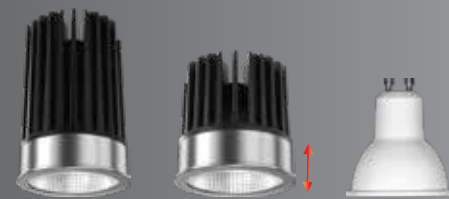




Product Description

- Trisha LED down lighter series is the perfect fit for recessed lighting applications.
- The housing is constructed from die-cast aluminium for better thermal management and finished with white epoxy polyester powder coating.
- Interchangeable LED optic Lens / Reflector options.
- Die-cast aluminium trim for varied applications.

Note : Luminaire housing to be ordered with required LED module.



Benefits

- Countless configurations available in multiple sizes and wattage options.
- Designed for highest efficiency with CRI>80.
- Versatile, Efficient and Aesthetics all in one.
- Modern timeless design in high quality.
- Flexible deployment options with a wide spectrum of applications.

Modular Lighting System

Modular lighting system with interchangeable light source, optical accessories and housing for fixed, adjustable and trimless options.

Glare Control

- Optical systems are carefully designed and selected to provide best light quality.
- The glare-control cutoff allows us to keep the LED from view and enhances your lighting experience.

Optimal Thermal Management

Effective heat dissipation is critical for long-term LED performance hence all luminaires are designed to produce 70% of initial light output with no perceived decay in colour temperature and lumen delivery.

Interchangeable Optics

Modular optics which allows field-interchangeable, tool-free reflectors with spot, medium and wide beam options. Optics can be easily applied to many luminaires across our product lineup.

Colours

Colour trims provide unique appearance, creating new possibilities for designing ceiling space. This feature also softens the light for viewing comfort. Many recess LED downlights feature this unique option.



Note : It is our constant endeavor to upgrade the performance of our products. For the latest technical information, IES files and product updates please refer to the website at www.klite.in



OVAL
27092

Ø92

IP65
WASH
Ø76

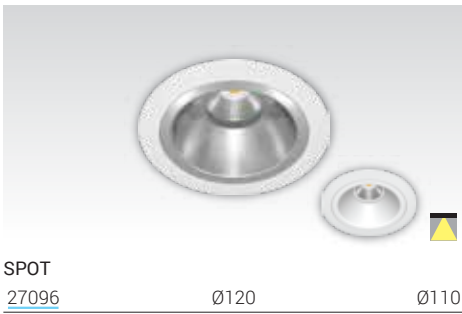


23319

Ø85

GU10

Ø58



SPOT
27096

Ø120

Ø110



ROUND
27091

Ø92

Ø79



GLOSSY
27093

Ø90

Ø79



ROUND WALL WASHER
27087

Ø78

Ø72



ROUND
27085

Ø78

Ø72



SQUARE
27084

SQ80

75 x 75

Colour : Black & Black / White & Gold

