



POWER GRAZE

Power Graze emphasises the tactile qualities of architectural materials. The grazing light brings out the finest wood concrete or natural stone texture thereby enabling the luminaire to set off historic features or regional materials.

The resulting special rendering of vertical illuminance combines strikingly illuminated texture for scenic effect with efficient room lighting for places such as restaurants and hotels.



K-LITE

POWER GRAZE

Power : 18W 36W 72W
Length : 600mm 1200mm 2400mm

>100
lm/w



RGB/W

Features

- OSRAM LED's
- 3000K / 4000K / 5700K
- Ra>90
- SDCM ≤ 3
- L70 / B10 @ 60,000 Hrs



IP44

5 Yrs
WARRANTY



220-240V 50Hz

Options

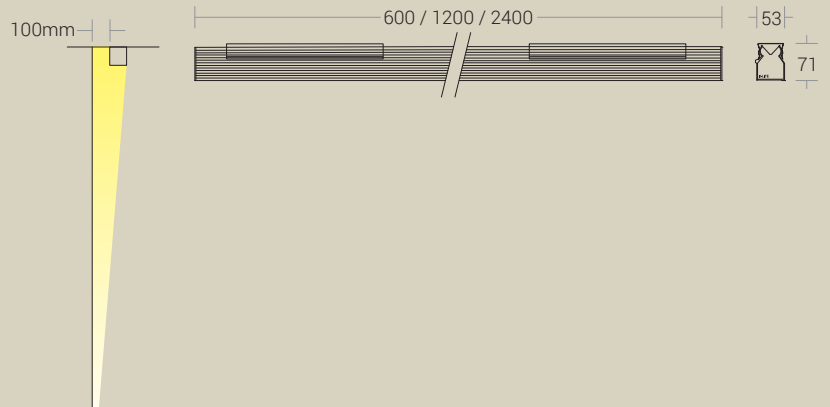
- Through wiring
- Dimmable options
- Suitable for Double / Triple height ceiling



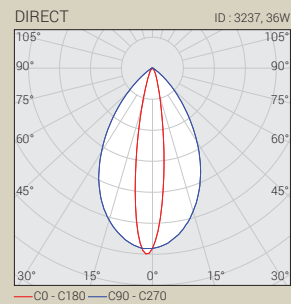
CEILING



Dimension in mm



Light Distribution





Technical Specifications

General

Driver : Constant Current
 Input Voltage : 220-240Vac
 Operating Temperature : 0°C~+50°C

Physical

Body : Aluminium profile
 Mounting : Surface Mounted as continuous band of light
 Diffuser : Secondary optics made optical polymer
 Fixing Clip : Metal, Black powder coated

Light Source

Light Source : LED's on metal-core PCB
 CRI (Ra) : >90
 R9 : >50
 LED Colour Temperature : 3000K / 4000K / 5700K

Driver

Power Supply : Non Integral
 Power Factor : >0.9 - >0.97
 THD : <10%
 Surge Protection : 4KV
 Efficiency : >85%

Optical

Tilt : 10°
 Beam Angle : 6°
 Diffuser Material : Polycarbonate
 Secondary optics : Elliptical Optical Polymer
 UGR : <19

Ordering Guide

Surface - Direct

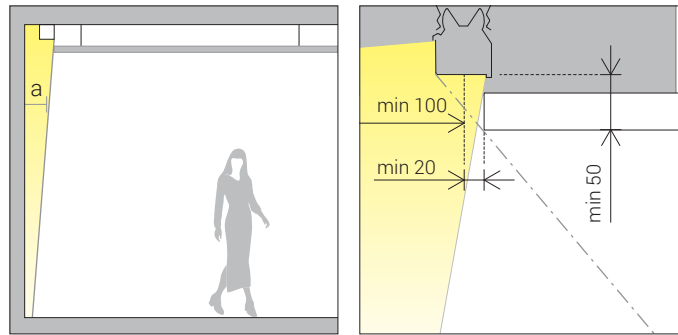
ID	Wattage	Dimension (mm)
3384	18W	600 x 53 x 71
3237	36W	1200 x 53 x 71
3385	72W	2400 x 53 x 71

RGB

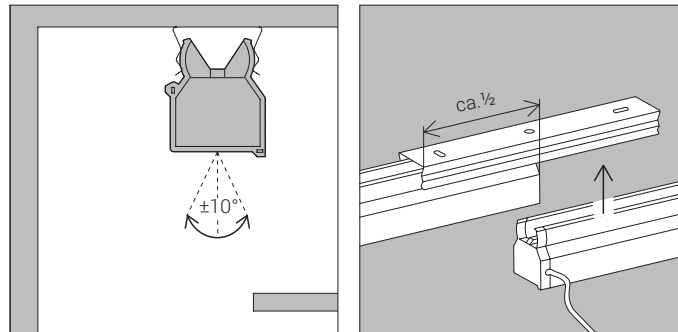
ID	Wattage	Dimension (mm)
3387	18W	600 x 53 x 71
3388	36W	1200 x 53 x 71
3389	72W	2400 x 53 x 71

RGBW

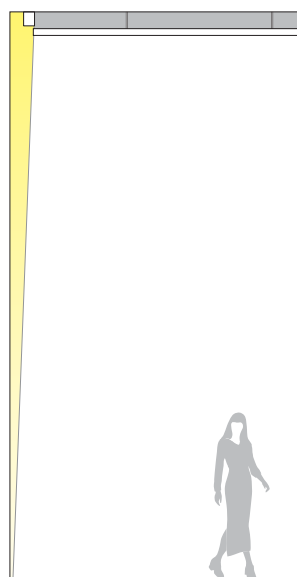
ID	Wattage	Dimension (mm)
3391	24W	600 x 53 x 71
3392	48W	1200 x 53 x 71
3393	96W	2400 x 53 x 71



Excellent visual comfort
Due to the small installation dimensions of Power Graze, the luminaires remain concealed and thus support ideal visual comfort.



Tiltable by 10°
After installation, Power Graze can be tilted by +/- 10° within the mounting profile to optimise the light distribution along the wall. Continuous line installation The Power Graze luminaires can be installed in a continuous line to achieve maximised and uniform illuminance distribution on the wall.



Asymmetrical light distribution, this wall grazer can be positioned up to 10cm close to the wall and still produce an exceptionally uniform beam for ceiling height up to 10mtrs height. The resulting special rendering of vertical illuminance creates a striking scenic effect with efficient accent lighting for hotels, restaurants, office, lobbies etc.