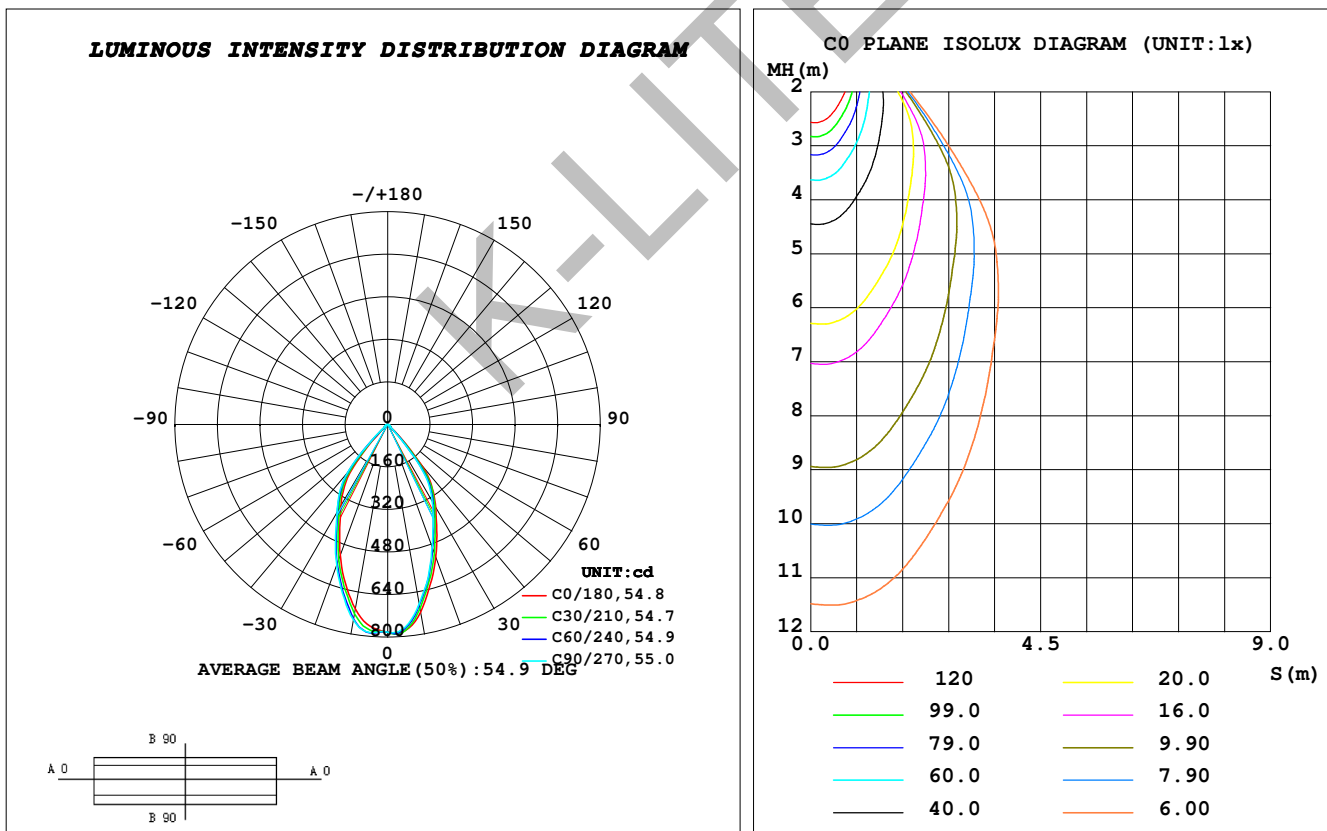


LUMINAIRE PHOTOMETRIC TEST REPORT

Test:U:230.60V I:0.0449A P:8.6986W PF:0.8409 Freq:49.99Hz Lamp Flux:892.8x1 lm		
NAME: TRISHA - LED MODULE	TYPE: RECESSED CEILING	WEIGHT:
SPEC.: WW, BRIDGELUX	DIM.: Ø50 x 51	SERIAL No.: 4254
MFR.: K-LITE	SUR.:	Shielding Angle: 60°

DATA OF LAMP		PHOTOMETRIC DATA			
MODEL	KL-8177	Imax (cd)	789.2	S/MH (C0/180)	0.80
NOMINAL POWER (W)	7	LOR (%)	78.6	S/MH (C90/270)	0.85
RATED VOLTAGE (V)	230	TOTAL FLUX (lm)	701.48	η UP, DN (C0-180)	0.0, 36.8
NOMINAL FLUX (lm)	892.8	CIE CLASS	DIRECT	η UP, DN (C180-360)	0.0, 41.8
LAMPS INSIDE	1	η up (%)	0.0	CIBSE SHR NOM	0.75
TEST VOLTAGE (V)	230	η down (%)	78.6	CIBSE SHR MAX	0.95



C Range: 0 - 360DEG
C Interval: 10.0DEG
Test Speed: HIGH
Temperature: 25.3DEG
Operators: K-LITE
Test Date: 22 February 2022

γ Range: 0 - 90DEG
γ Interval: 1.0DEG
Test System: EVERFINE GO-R5000_V2 SYSTEM V2.00.417
Humidity: 65.0%
Test Distance: 1.825m [K=1.0000]
Remarks: