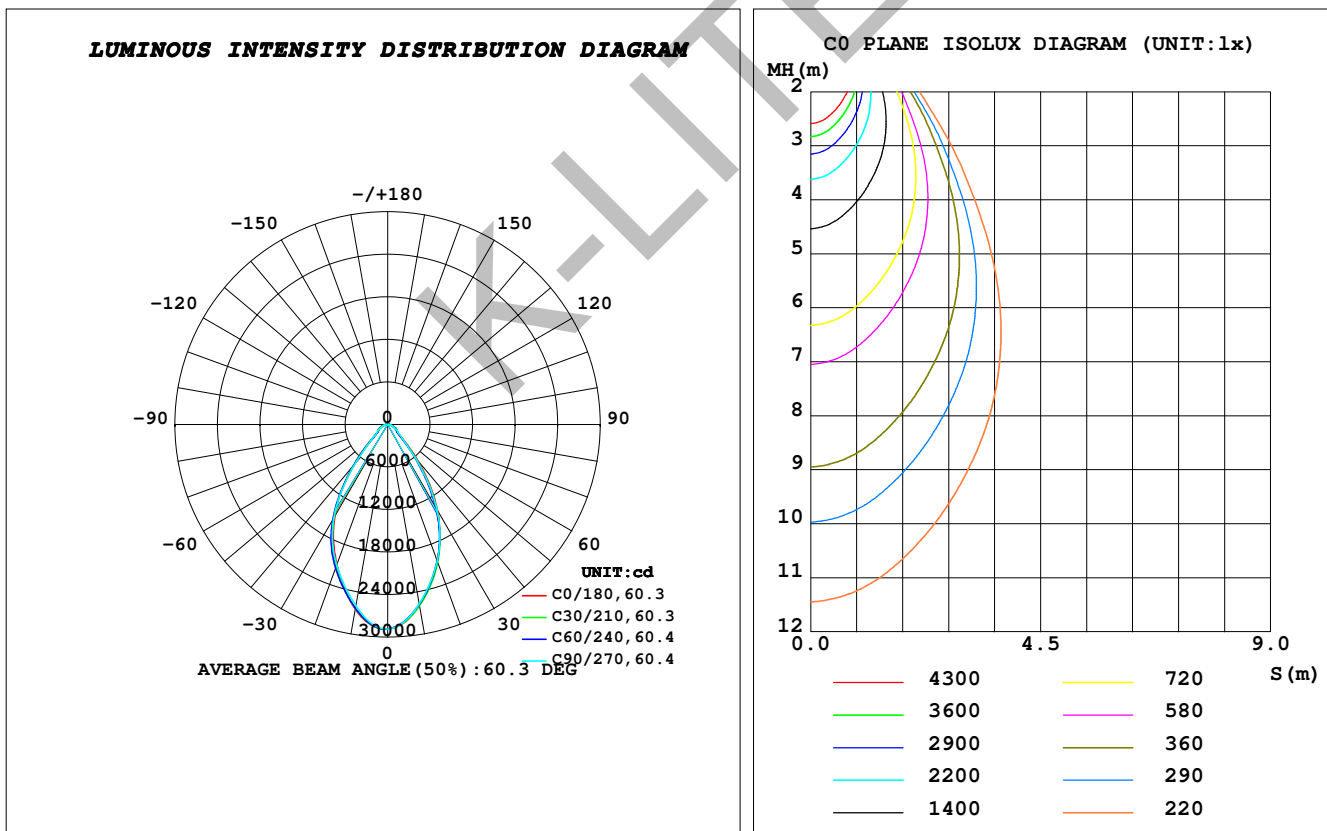


LUMINAIRE PHOTOMETRIC TEST REPORT

Test:U:229.72V I:1.0610A P:238.57W PF:0.9789 Freq:50.19Hz Lamp Flux:33532.4x1 lm		
NAME: ASTON 4	TYPE:FLOOD LIGHTS	WEIGHT:
SPEC.:WW, LUMILED	DIM.: 342 x 135 x 365	SERIAL No.:0254
MFR.: K-LITE	SUR.:	Shielding Angle:60°

DATA OF LAMP		PHOTOMETRIC DATA			
MODEL	KL-6788	Imax (cd)	28868	S/MH (C0/180)	0.88
NOMINAL POWER (W)	4 x 60	LOR (%)	90.2	S/MH (C90/270)	0.89
RATED VOLTAGE (V)	230	TOTAL FLUX (lm)	30244	η UP, DN (C0-180)	0.0, 43.8
NOMINAL FLUX (lm)	33532.4	CIE CLASS	DIRECT	η UP, DN (C180-360)	0.0, 46.4
LAMPS INSIDE	1	η up (%)	0.0	CIBSE SHR NOM	0.75
TEST VOLTAGE (V)	230	η down (%)	90.2	CIBSE SHR MAX	0.95



C Range: 0 - 360DEG
 C Interval: 10.0DEG
 Test Speed: HIGH
 Temperature: 25.3DEG
 Operators: K-LITE
 Test Date: 19 September 2019

γ Range: 0 - 90DEG
 γ Interval: 0.5DEG
 Test System: EVERFINE GO-R5000_V2 SYSTEM V2.00.417
 Humidity: 65.0%
 Test Distance: 1.825m [K=1.0000]
 Remarks: