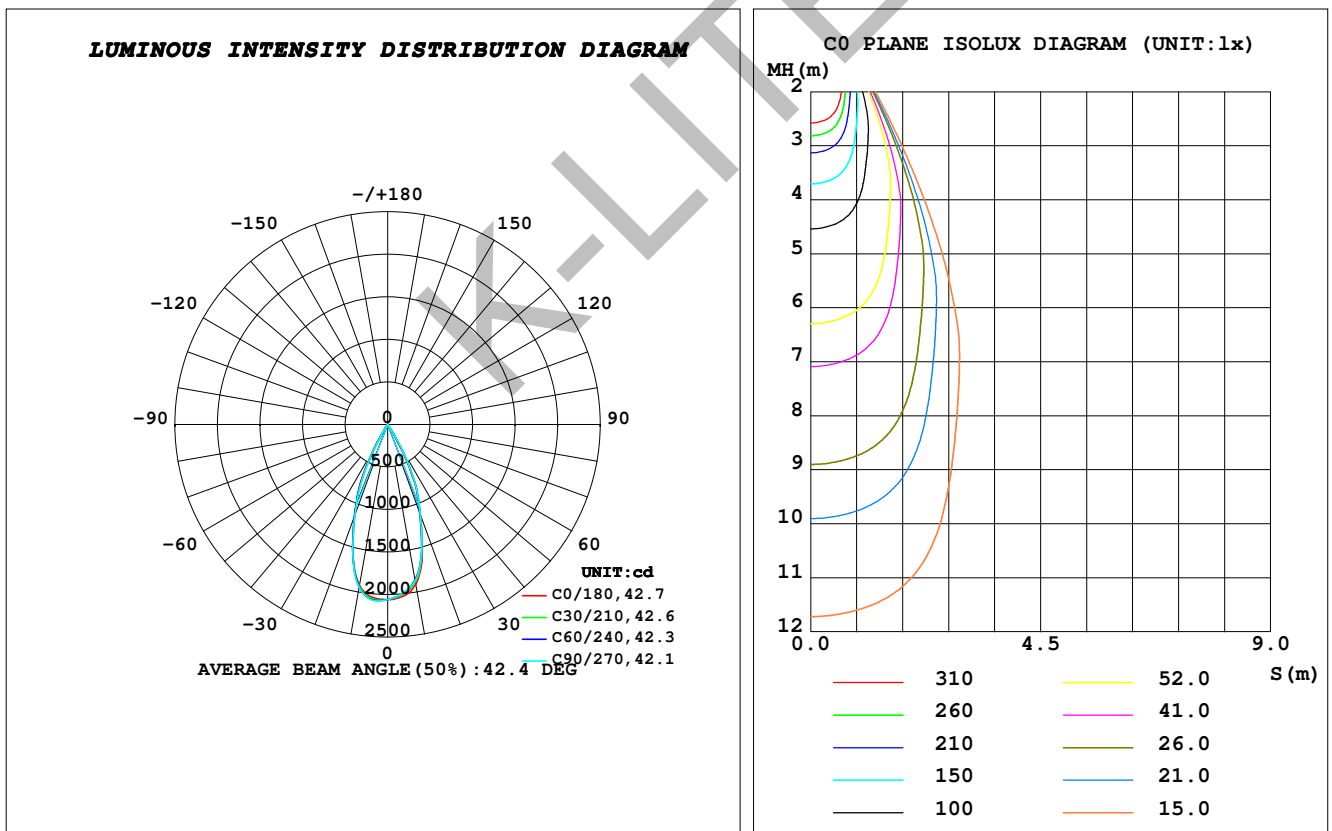


LUMINAIRE PHOTOMETRIC TEST REPORT

Test:U:230.16V I:0.0473A P:9.6191W PF:0.8832 Freq:49.79Hz Lamp Flux:1261.87x1 lm		
NAME: LINE N DOT - LINEAR DOWN LIGHT	TYPE:RECESSED CEILING	WEIGHT:0.230Kg
SPEC.:4000K, NICHIA, BA-48°, 80 CRI	DIM.: 76 x 76 x 50	SERIAL No.:INT/2023/07/46D
MFR.: K-LITE	SUR.:	Shielding Angle:

DATA OF LAMP		PHOTOMETRIC DATA Eff: 102.87 lm/W			
MODEL	KL-3370	I _{max} (cd)	2078	S/MH (C0/180)	0.68
NOMINAL POWER (W)	10	LOR (%)	78.4	S/MH (C90/270)	0.67
RATED VOLTAGE (V)	230	TOTAL FLUX (lm)	989.47	η UP, DN (C0-180)	0.0, 39.3
NOMINAL FLUX (lm)	1261.87	CIE CLASS	DIRECT	η UP, DN (C180-360)	0.0, 39.1
LAMPS INSIDE	1	η up (%)	0.0	CIBSE SHR NOM	0.50
TEST VOLTAGE (V)	230	η down (%)	78.4	CIBSE SHR MAX	0.70



C Range: 0 - 360DEG
 C Interval: 10.0DEG
 Test Speed: HIGH
 Temperature: 25.6DEG
 Operators: K-LITE
 Test Date: 22 July 2023

γ Range: 0 - 90DEG
 γ Interval: 1.0DEG
 Test System: EVERFINE GO-R5000_V2 SYSTEM V2.00.417
 Humidity: 45.5%
 Test Distance: 1.944m [K=1.0000]
 Remarks: