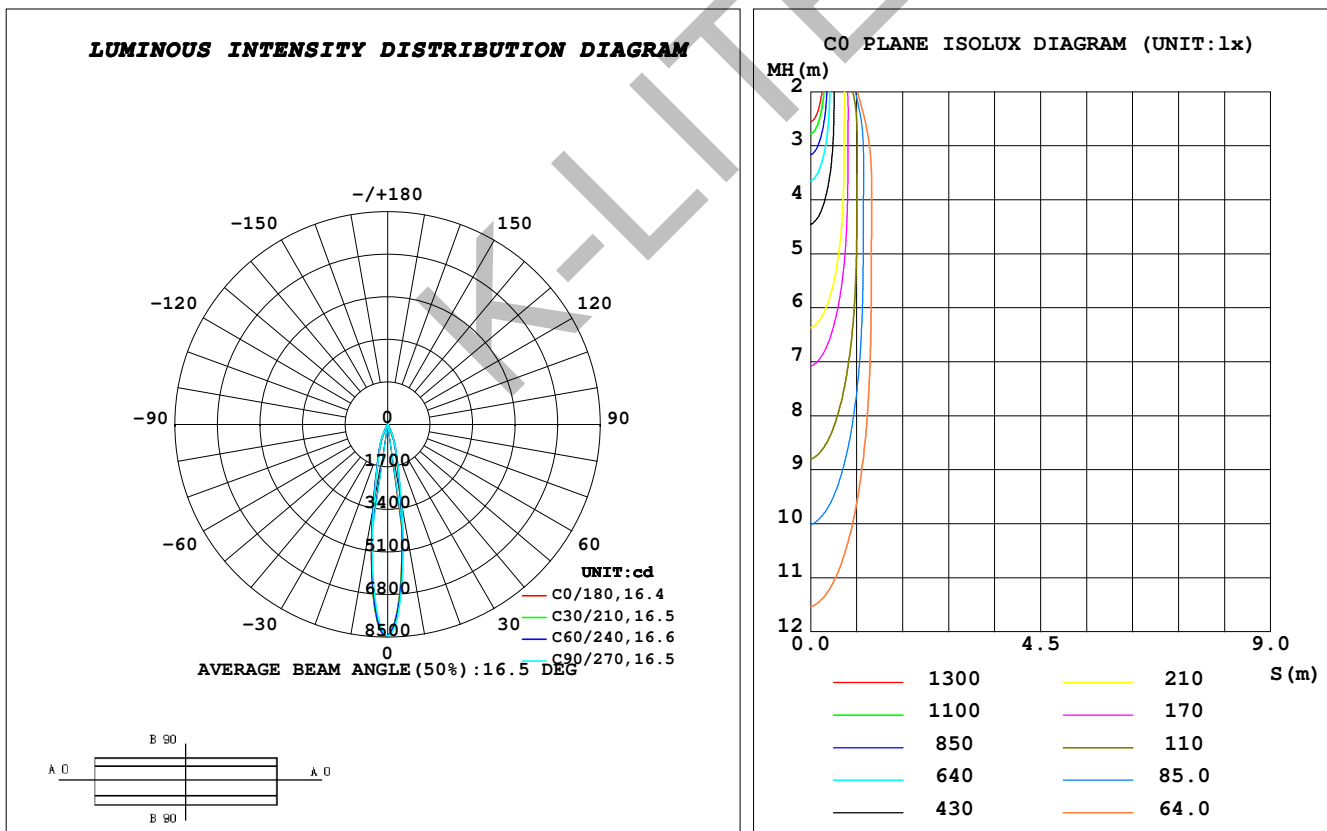


LUMINAIRE PHOTOMETRIC TEST REPORT

Test:U:230.51V I:0.0933A P:20.544W PF:0.9557 Freq:49.98Hz Lamp Flux:2557.5x1 lm		
NAME: PLATINA MIDI - TRIM	TYPE: RECESSED CEILING	WEIGHT:
SPEC.: WW, CITIZEN	DIM.: Ø105 x 120	SERIAL No.: 1475
MFR.: K-LITE	SUR.:	Shielding Angle: 15°

DATA OF LAMP		PHOTOMETRIC DATA			
MODEL	KL-3329	I _{max} (cd)	8485	S/MH (C0/180)	0.30
NOMINAL POWER (W)	20	LOR (%)	44.5	S/MH (C90/270)	0.28
RATED VOLTAGE (V)	230	TOTAL FLUX (lm)	1137.9	η UP, DN (C0-180)	0.0, 21.7
NOMINAL FLUX (lm)	2557.5	CIE CLASS	DIRECT	η UP, DN (C180-360)	0.0, 22.8
LAMPS INSIDE	1	η up (%)	0.0	CIBSE SHR NOM	0.00
TEST VOLTAGE (V)	230	η down (%)	44.5	CIBSE SHR MAX	1.00



C Range: 0 - 360DEG
C Interval: 10.0DEG
Test Speed: HIGH
Temperature: 25.3DEG
Operators: K-LITE
Test Date: 13 July 2020

γ Range: 0 - 90DEG
γ Interval: 1.0DEG
Test System: EVERFINE GO-R5000_V2 SYSTEM V2.00.417
Humidity: 65.0%
Test Distance: 1.825m [K=1.0000]
Remarks: